

PARTS LIST

WESTERBEKE BTG — 9KW Marine Gasoline Generator Set

Publication # 36801

Edition Two

July, 1988



Gasoline with an ETHANOL content higher than 10% (E10) is **not allowed and may void warranty.**



WESTERBEKE™
Engines & Generators

PARTS LIST

WESTERBEKE BTG — 9KW Marine Gasoline Generator Set

Publication # 36801

Edition Two

July, 1988



IMPORTANT

PRODUCT SOFTWARE NOTICE

Product software of all kinds, such as brochures, drawings, technical data, operator's and workshop manuals, parts lists and parts price lists, and other information, instructions and specifications provided from sources other than Westerbeke, is not within Westerbeke's control and, accordingly, is provided to Westerbeke customers only as a courtesy and service. WESTERBEKE CANNOT BE RESPONSIBLE FOR THE CONTENT OF SUCH SOFTWARE, MAKES NO WARRANTIES OR REPRESENTATIONS WITH RESPECT THERETO, INCLUDING THE ACCURACY, TIMELINESS OR COMPLETENESS THEREOF, AND WILL IN NO EVENT BE LIABLE FOR ANY TYPE OF DAMAGES OR INJURY INCURRED IN CONNECTION WITH, OR ARISING OUT OF, THE FURNISHING OR USE OF SUCH SOFTWARE.

For example, components and sub-assemblies incorporated in Westerbeke's products and supplied by others (such as engine blocks, fuel systems and components, transmissions, electrical components, pumps and other products) are generally supported by their manufacturers with their own software, and Westerbeke must depend on such software for the design of Westerbeke's own product software. Such software may be outdated and no longer accurate. Routine changes made by Westerbeke's suppliers, of which Westerbeke rarely has notice in advance, are frequently not reflected in the supplier's software until after such changes take place.

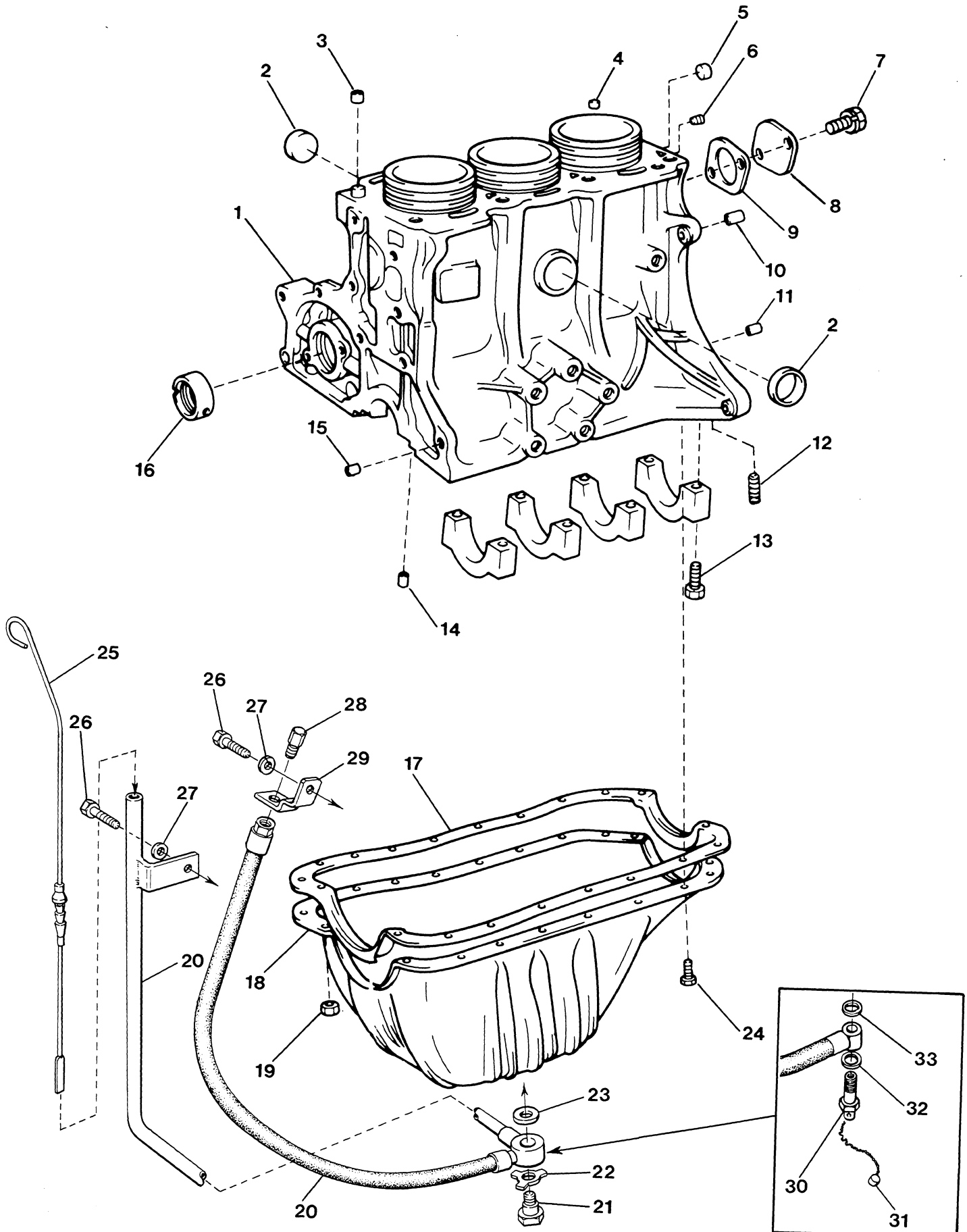
Westerbeke customers should also keep in mind the time span between printings of Westerbeke product software, and the unavoidable existence of earlier, non-current Westerbeke software editions in the field. Additionally, most Westerbeke products include customer-requested special features that frequently do not include complete documentation.

In sum, product software provided with Westerbeke products, whether from Westerbeke or other suppliers, must not and cannot be relied upon exclusively as the definitive authority on the respective product. It not only makes good sense but is imperative that appropriate representatives of Westerbeke or the supplier in question be consulted to determine the accuracy and currency of the product software being consulted by the customer.

TABLE OF CONTENTS

100	WESTERBEKE	9.0	BTG	GENERATOR	-	CYLINDER BLOCK
102	WESTERBEKE	9.0	BTG	GENERATOR	-	CYLINDER HEAD
104	WESTERBEKE	9.0	BTG	GENERATOR	-	ROCKER SHAFT - CAMSHAFT - VALVES
106	WESTERBEKE	9.0	BTG	GENERATOR	-	CRANKSHAFT - PISTONS
108	WESTERBEKE	9.0	BTG	GENERATOR	-	TIMING BELT - BALANCE SHAFT
110	WESTERBEKE	9.0	BTG	GENERATOR	-	TIMING CASE
112	WESTERBEKE	9.0	BTG	GENERATOR	-	LUBE OIL PUMP
114	WESTERBEKE	9.0	BTG	GENERATOR	-	COOLING SYSTEM
118	WESTERBEKE	9.0	BTG	GENERATOR	-	FRESH WATER PUMP - LUBE OIL FILTER
120	WESTERBEKE	9.0	BTG	GENERATOR	-	SEA WATER PUMP
122	WESTERBEKE	9.0	BTG	GENERATOR	-	FUEL SYSTEM - COOLING (RIGHT SIDE)
126	WESTERBEKE	9.0	BTG	GENERATOR	-	DISTRIBUTOR
128	WESTERBEKE	9.0	BTG	GENERATOR	-	GOVERNOR - BELTS - BELT GUARD
130	WESTERBEKE	9.0	BTG	GENERATOR	-	BACK END - GENERATOR - MOUNTS
134	WESTERBEKE	9.0	BTG	GENERATOR	-	AC OUTPUT
136	WESTERBEKE	9.0	BTG	GENERATOR	-	CONTROL PANEL
138	WESTERBEKE	9.0	BTG	GENERATOR	-	ELECTRICAL WIRING HARNESS
142	WESTERBEKE	9.0	BTG	GENERATOR	-	REMOTE CONTROL PANELS

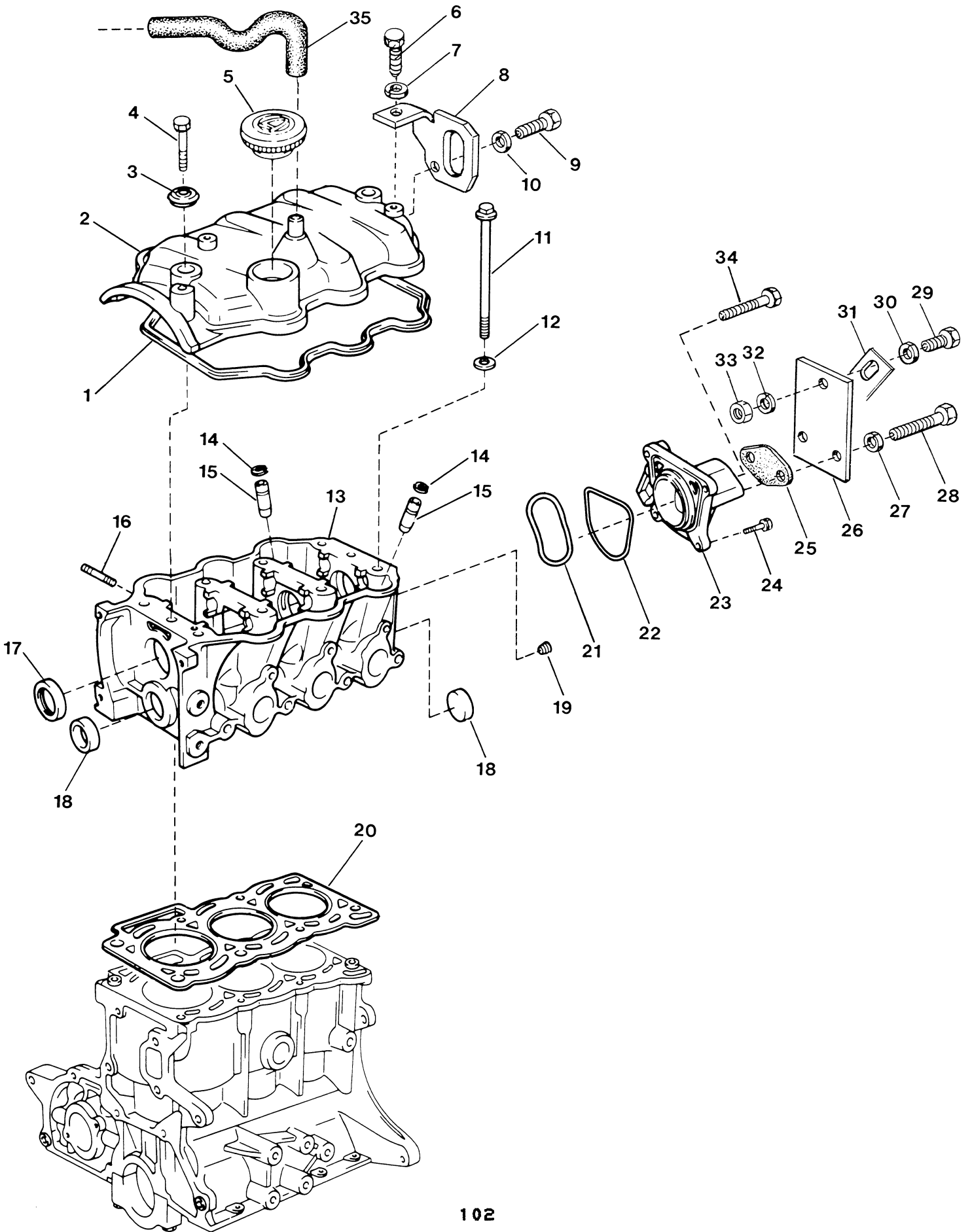
WESTERBEKE 9.0 BTG GENERATOR - CYLINDER BLOCK



WESTERBEKE 9.0 BTG GENERATOR - CYLINDER BLOCK

REF	PN	NAME	REMARKS	QUAN
1-1	035989	ENGINE	BLOCK & HEAD ASSEMBLY	1
1-2	035497	BLOCK	SHORT	1
2	024374	PLUG	EXPANSION-CUP 30 MM	2
3	035630	DOWEL	TUBULAR	2
4	035498	TUBE	OIL-BLOCK TO HEAD	1
5	024373	PLUG	EXPANSION-CUP 25 MM	1
6	030712	PLUG	1/4BSPT	1
7	035791	CAPSCREW	M 8 X 14 JIS INCL LOCKWASHER	2
8	035480	COVER	BALANCE SHAFT-REAR	1
9	035481	GASKET	BALANCE SHAFT COVER	1
10	035629	DOWEL		2
11	035631	DOWEL	TUBULAR	2
12	035683	STUD	M 6 X 12	2
13	035661	BOLT	MAIN BEARING CAP	8
14	035631	DOWEL	TUBULAR	2
15	035631	DOWEL	TUBULAR	2
16-1	035507	BEARING	SET-BALANCE SHAFT STD	1
16-2	035509	BEARING	SET-BALANCE SHAFT 0.5 MM	1
17	035512	GASKET	SUMP	1
18	035510	SUMP	LUBE OIL	1
19-1	015812	NUT	M 6 DIN 934	6
19-2	031783	LOCKWASHER	M 6 DIN 127	6
20	036230	HOSE	SUMP DRAIN AND DIPSTICK TUBE ASSEMBLY	1
21-1	035270	BOLT	BANJO-SUMP DRAIN M16	1
21-2	036646	BOLT	BANJO-SUMP DRAIN M12	1
22	024913	TABWASHER		1
23-1	035436	WASHER	NYLATRON-M16 BOLT	1
23-2	036647	WASHER	NYLATRON-M12 BOLT	1
24	035800	CAPSCREW	M 6 X 16 JIS INCL LOCKWASHER	14
25	035592	DIPSTICK		1
26	031228	CAPSCREW	M10 X 1.25 X 30 DIN 961	2
27	019262	LOCKWASHER	M10 DIN 127	2
28	024905	CAP	SUMP DRAIN HOSE	1
29	024922	BRACKET	SUMP DRAIN HOSE	1
30	036823	BOLT	BANJO-SUMP DRAIN	1
31	037393	SEAL	LEAD WIRE	1
32	036493	WASHER	SUMP DRAIN BANJO	1
33	036647	WASHER	NYLATRON-M12 BOLT	1

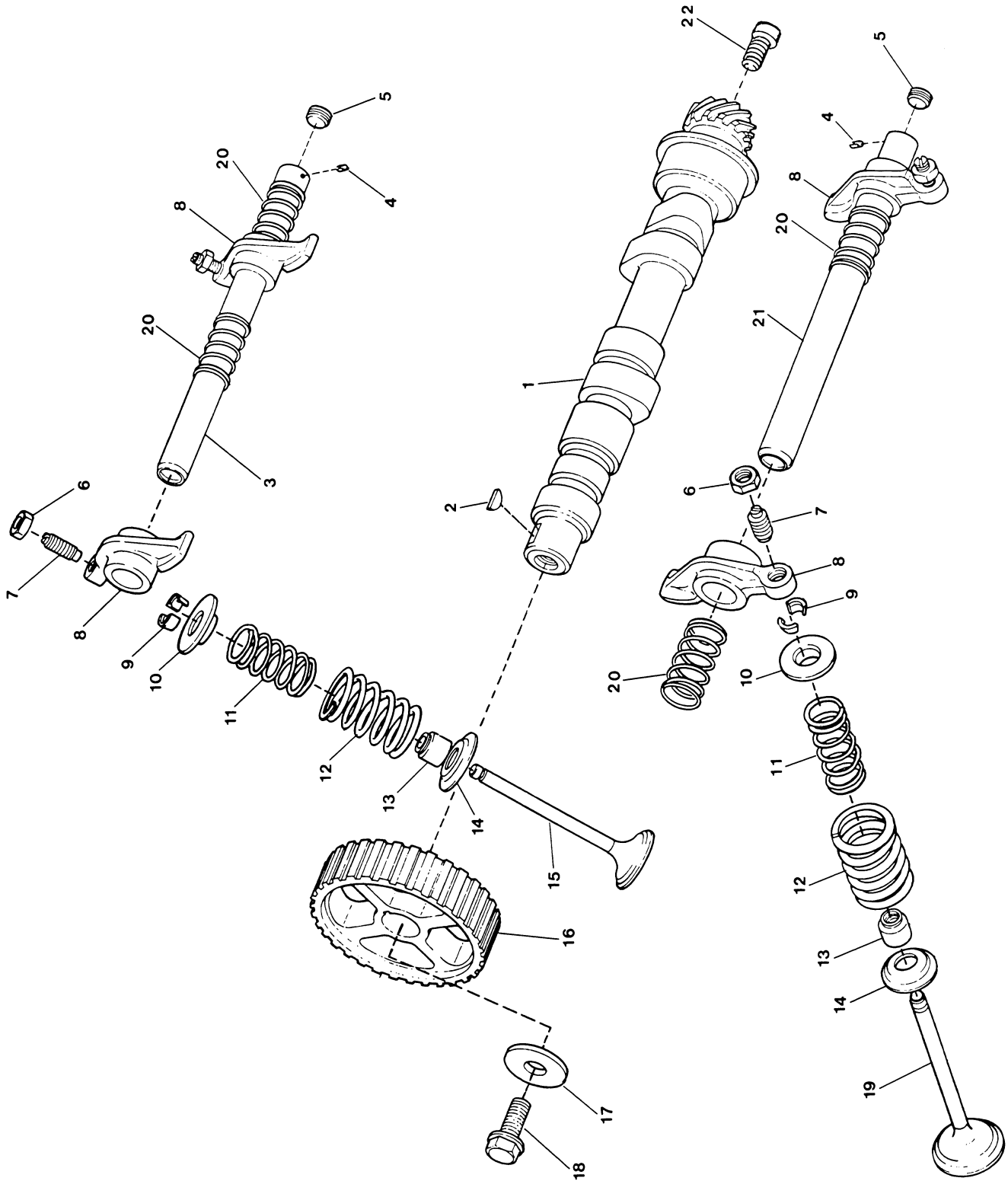
WESTERBEKE 9.0 BTG GENERATOR - CYLINDER HEAD



WESTERBEKE 9.0 BTG GENERATOR - CYLINDER HEAD

REF	PN	NAME	REMARKS	QUAN
1	035479	GASKET	ROCKER COVER	1
2	035441	COVER	ROCKER	1
3	035628	SEAL		2
4	035621	CAPSCREW		2
5	035514	CAP	OIL FILLER	1
6	034672	CAPSCREW	M 8 X 12 DIN 933	1
7	031786	LOCKWASHER	M 8 DIN 127	1
8	035268	EYE	REAR LIFTING	1
9	020628	CAPSCREW	M 6 X 25 DIN 933	1
10	031783	LOCKWASHER	M 6 DIN 127	1
11	035660	BOLT	CYLINDER HEAD	8
12	035624	WASHER	CYLINDER HEAD BOLT	8
13	035470	HEAD	CYLINDER INCLUDING REF 14 THRU 18	1
14	035659	RING	RETAINING	6
15	035473	GUIDE	VALVE INCLUDING REF 14	6
16	018251	STUD	M 8 X 20 DIN 939	4
17	035647	SEAL	OIL-CAMSHAFT	1
18	024349	PLUG	EXPANSION-CUP 35 MM	2
19	024903	PLUG	3/8BSPT DIN 906	1
20	035472	GASKET	CYLINDER HEAD	1
21	036204	WASHER		1
22	035635	O-RING	HOUSING TO HEAD	1
23	035475	HOUSING	DISTRIBUTOR MOUNT	1
24	035786	CAPSCREW	M 6 X 20 JIS INCL LOCKWASHER	3
25	035044	GASKET		1
26	035437	BRACKET	IGNITION COIL	1
27	031786	LOCKWASHER	M 8 DIN 127	2
28	017196	CAPSCREW	M 8 X 20 DIN 933	2
29	031553	CAPSCREW	5/16NC X 3/4	1
30	031759	WASHER	FLAT 5/16	1
31		COIL	IGNITION - REFER TO ELECTRICAL HARNESS	1
32	031758	LOCKWASHER	5/16	1
33	031756	NUT	5/16NC	1
34	035811	CAPSCREW	M 6 X 45 JIS INCL WASHER & LOCKWASHER	1
35	035894	HOSE	BREATHER	1

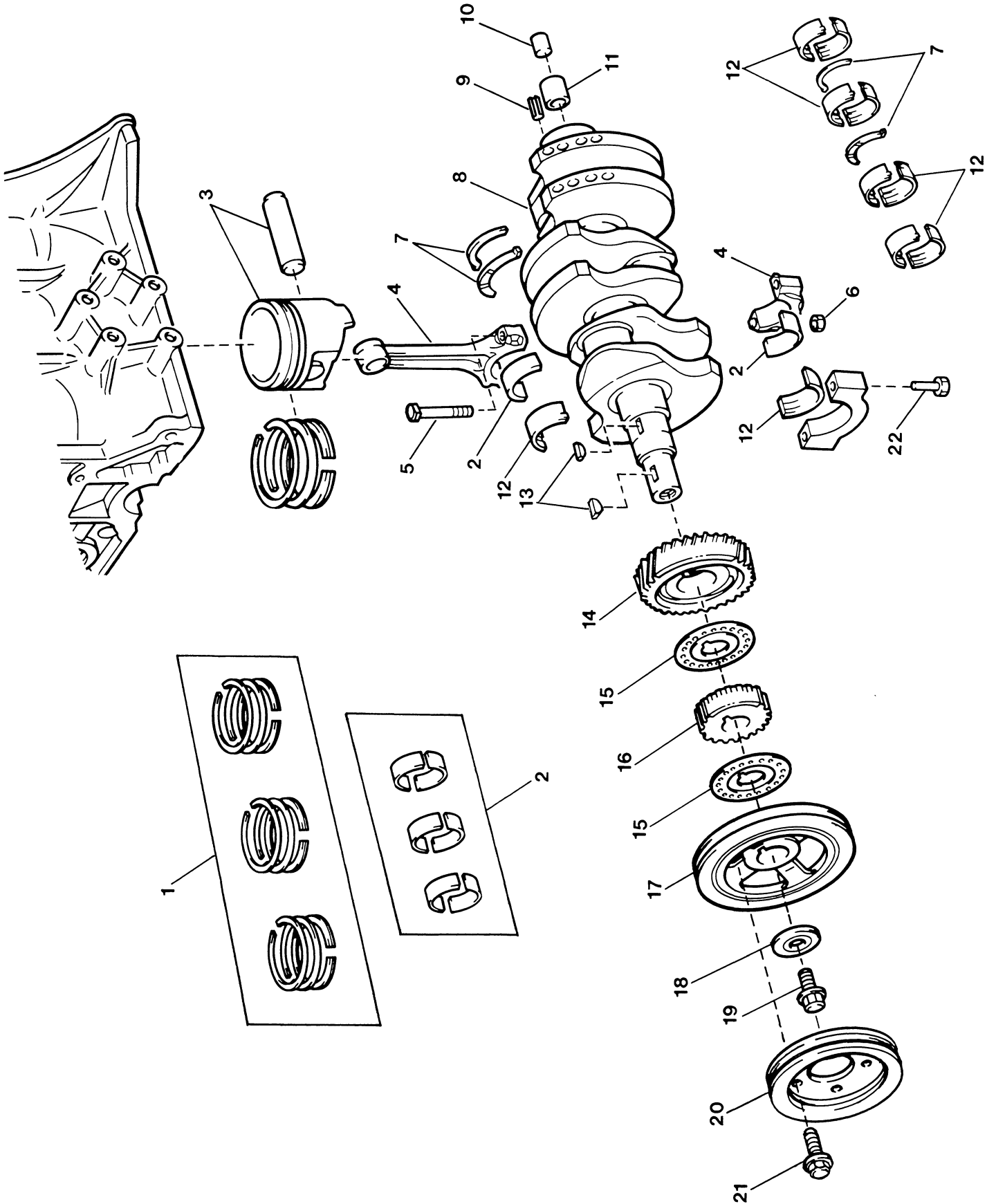
WESTERBEKE 9.0 BTG GENERATOR - ROCKER SHAFT - CAMSHAFT - VALVES



WESTERBEKE 9.0 BTG GENERATOR - ROCKER SHAFT - CAMSHAFT - VALVES

REF	PN	NAME	REMARKS	QUAN
1	035560	CAMSHAFT		1
2	035633	KEY	WOODRUFF	1
3	035570	SHAFT	ROCKER-INTAKE INCL REF 4-5	1
4	035650	PIN	SPRING	2
5	035649	PLUG	ROCKER SHAFT	2
6	035813	NUT	ROCKER ADJUSTING SCREW	6
7	035664	SCREW	ROCKER ADJUSTING	6
8	035568	ROCKER	ARM INCL REF 6-7	6
9	035663	COLLET	VALVE SPRING	12
10	035567	SEAT	VALVE SPRING-UPPER	6
12	035654	SPRING	VALVE	6
13	035662	SEAL	OIL-VALVE STEM	6
14	035566	SEAT	VALVE SPRING-LOWER	6
15	035564	VALVE	INTAKE	3
16	035562	PULLEY	CAMSHAFT-TIMING BELT	1
17	035625	WASHER		1
18	036215	CAPSCREW	M10 X 1.25 X 25 JIS-FLANGE	1
19	035565	VALVE	EXHAUST	3
20	035653	SPRING	ROCKER SHAFT	6
21	035572	SHAFT	ROCKER-EXHAUST INCL REF 4-5	1
22	035563	CAM	FUEL PUMP DRIVE	1

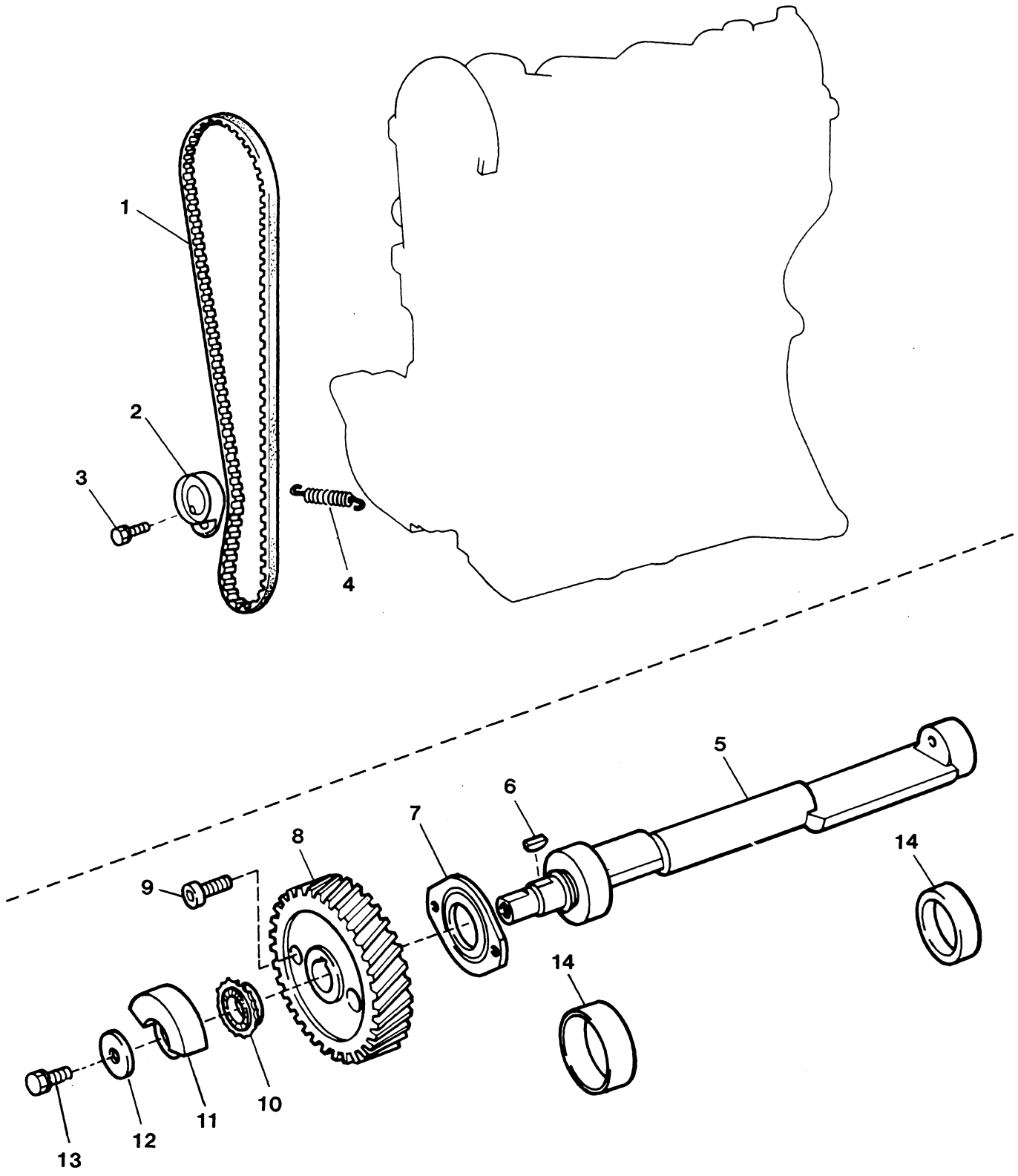
WESTERBEKE 9.0 BTG GENERATOR - CRANKSHAFT - PISTONS



WESTERBEKE 9.0 BTG GENERATOR - CRANKSHAFT - PISTONS

REF	PN	NAME	REMARKS	QUAN
1-1	035518	RING SET	STD-ENGINE SET	1
1-2	035520	RING SET	0.25MM-ENGINE SET	1
1-3	035522	RING SET	0.50MM-ENGINE SET	1
2-1	035536	BEARING	CONNECTING ROD-ENGINE SET STD	1
2-2	035538	BEARING	CONNECTING ROD-ENGINE SET 0.25MM	1
2-3	035540	BEARING	CONNECTING ROD-ENGINE SET 0.50MM	1
3-1	035525	PISTON	STD	3
3-2	035527	PISTON	0.25MM	3
3-3	035529	PISTON	0.50MM	3
4	035533	ROD	CONNECTING INCL REF 5-6	3
5	035541	BOLT	CONNECTING ROD	6
6	036213	NUT	CONNECTING ROD	6
7-1	035466	WASHER	THRUST-ENGINE SET STD	1
7-2	035467	WASHER	THRUST-ENGINE SET 0.125MM	1
7-3	035468	WASHER	THRUST-ENGINE SET 0.250MM	1
8	035543	CRANKSHAFT	INCL PIN & BUSHING	1
9	036212	PIN	SPRING	1
10	035687	FELT		1
11	035651	BUSHING	CRANKSHAFT	1
12-1	035500	BEARING	MAIN-ENGINE SET STD	1
12-2	035502	BEARING	MAIN-ENGINE SET 0.25MM	1
12-3	035504	BEARING	MAIN-ENGINE SET 0.50MM	1
13	035632	KEY	WOODRUFF	2
14	035554	GEAR	BALANCE SHAFT	1
15	035558	FLANGE	TIMING BELT PULLEY	2
16	035557	PULLEY	TIMING BELT DRIVE	1
17	035556	PULLEY	CRANKSHAFT	1
18	035623	WASHER	CRANKSHAFT PULLEY	1
19	035780	BOLT	CRANKSHAFT PULLEY	1
20	036201	PULLEY		1
21	035792	CAPSCREW	M 8 X 16 JIS INCL LOCKWASHER	4
22	035661	BOLT	MAIN BEARING CAP	8

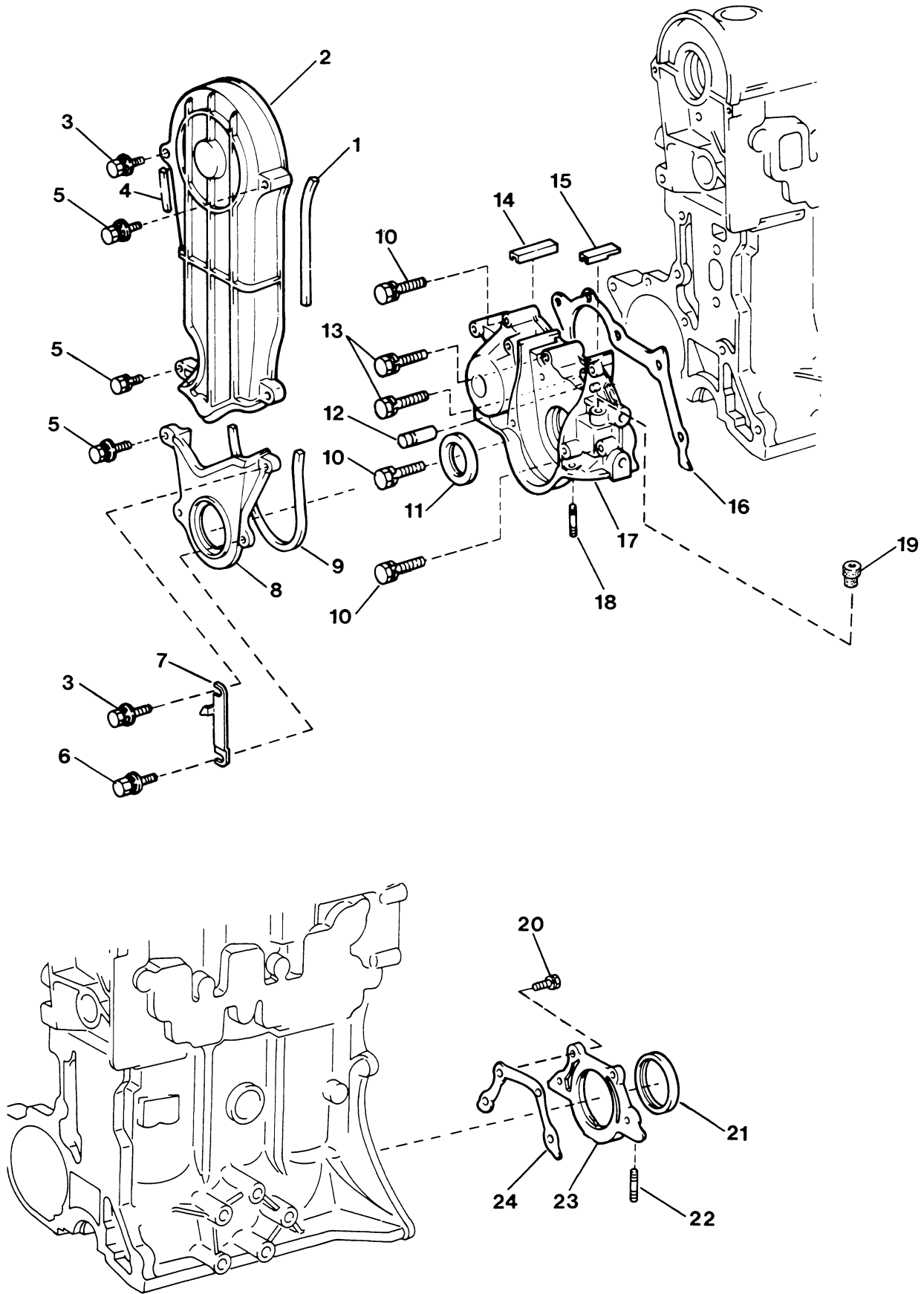
WESTERBEKE 9.0 BTG GENERATOR - TIMING BELT - BALANCE SHAFT



WESTERBEKE 9.0 BTG GENERATOR - TIMING BELT - BALANCE SHAFT

REF	PN	NAME	REMARKS	QUAN
1	035578	BELT	TIMING	1
2	035574	TENSIONER	TIMING BELT	1
3	035783	BOLT	TENSIONER	1
4	035658	SPRING	TENSIONER	1
5	035546	SHAFT	BALANCE	1
6	035632	KEY	WOODRUFF	1
7	035550	PLATE	THRUST	1
8	035548	GEAR	BALANCE SHAFT	1
9	031925	CAPSCREW	M 8 X 35 DIN 912	2
10	035551	SPROCKET	OIL PUMP DRIVE CHAIN	1
11	035544	WEIGHT	BALANCE	1
12	035626	WASHER		1
13	033651	CAPSCREW	M10 X 1.25 X 20 JIS-FLANGE	1
14-1	035507	BEARING	SET-BALANCE SHAFT STD	1
14-2	035509	BEARING	SET-BALANCE SHAFT 0.5MM	1

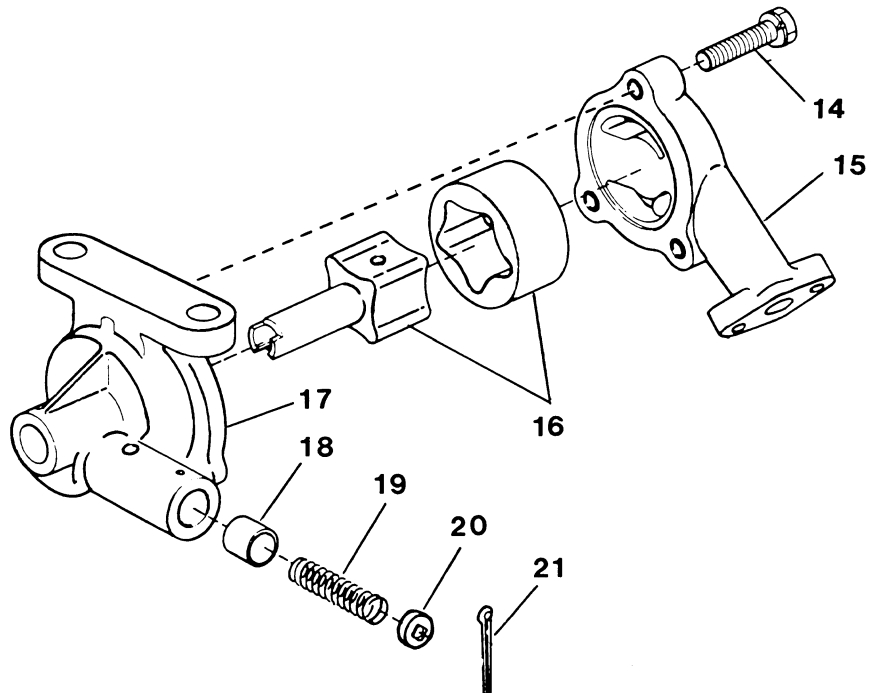
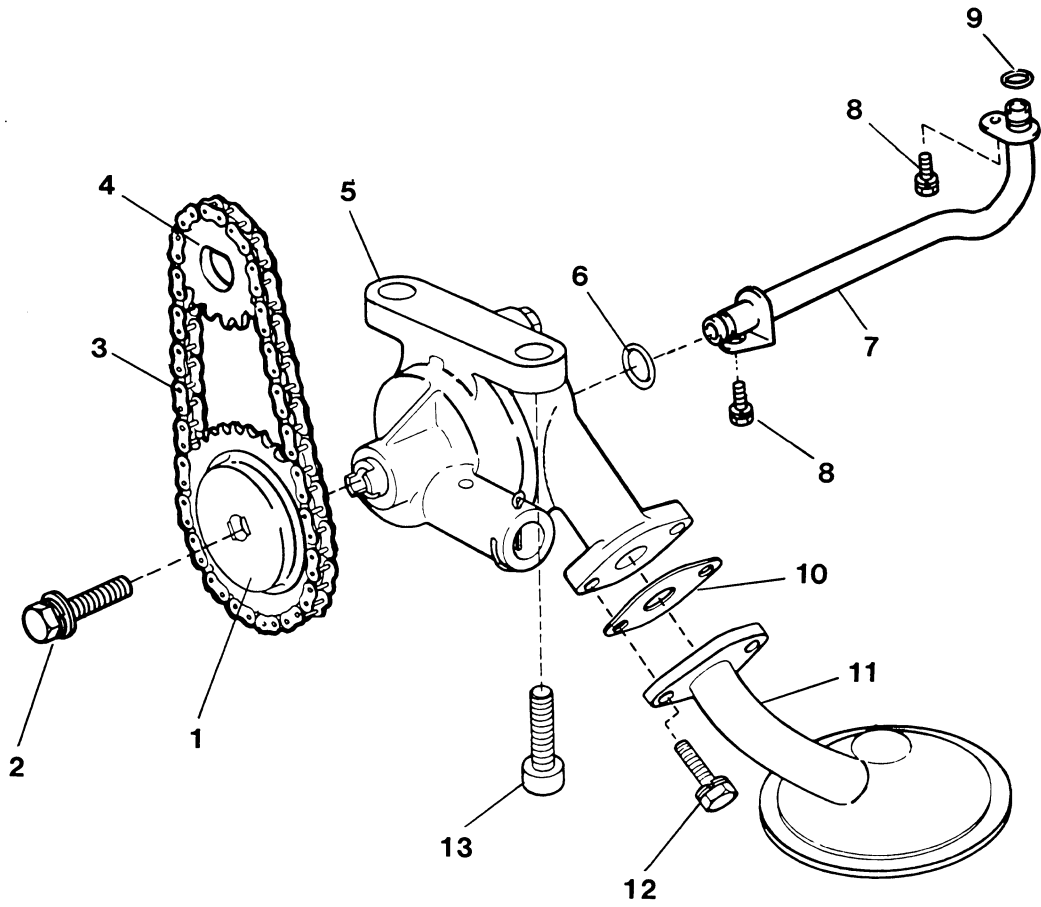
WESTERBEKE 9.0 BTG GENERATOR - TIMING CASE



WESTERBEKE 9.0 BTG GENERATOR - TIMING CASE

REF	PN	NAME	REMARKS	QUAN
1	035644	GASKET	TIMING BELT COVER-UPPER 215 MM LONG	1
2	035487	COVER	TIMING BELT-UPPER	1
3	035782	BOLT	TIMING BELT COVER	2
4	035638	GASKET	TIMING BELT COVER-UPPER 145 MM LONG	1
5	035810	CAPSCREW	M 6 X 25 JIS INCL WASHER & LOCKWASHER	3
6	035809	CAPSCREW	M 6 X 16 JIS INCL WASHER & LOCKWASHER	1
7	035494	POINTER	TIMING	1
8	035489	COVER	TIMING BELT-LOWER	1
9	035645	GASKET	TIMING BELT COVER-LOWER	1
10	035798	CAPSCREW	M 8 X 50 JIS INCL LOCKWASHER	3
11	035648	SEAL	OIL	1
12	036216	PIN		1
13	035795	CAPSCREW	M 8 X 35 JIS INCL LOCKWASHER	2
14	035643	SEAL	DUST	1
15	035642	SEAL	DUST	1
16	035485	GASKET	BALANCE SHAFT GEAR COVER	1
17	035483	COVER	BALANCE SHAFT GEAR	1
18	035683	STUD	M 6 X 16	1
19	036345	PLUG	UNUSED DIPSTICK PORT	1
20	035793	CAPSCREW	M 8 X 25 JIS INCL LOCKWASHER	4
21	035646	SEAL	OIL	1
22	035683	STUD	M 6 X 16	1
23	035491	RETAINER	OIL SEAL	1
24	035493	GASKET	OIL SEAL RETAINER	1

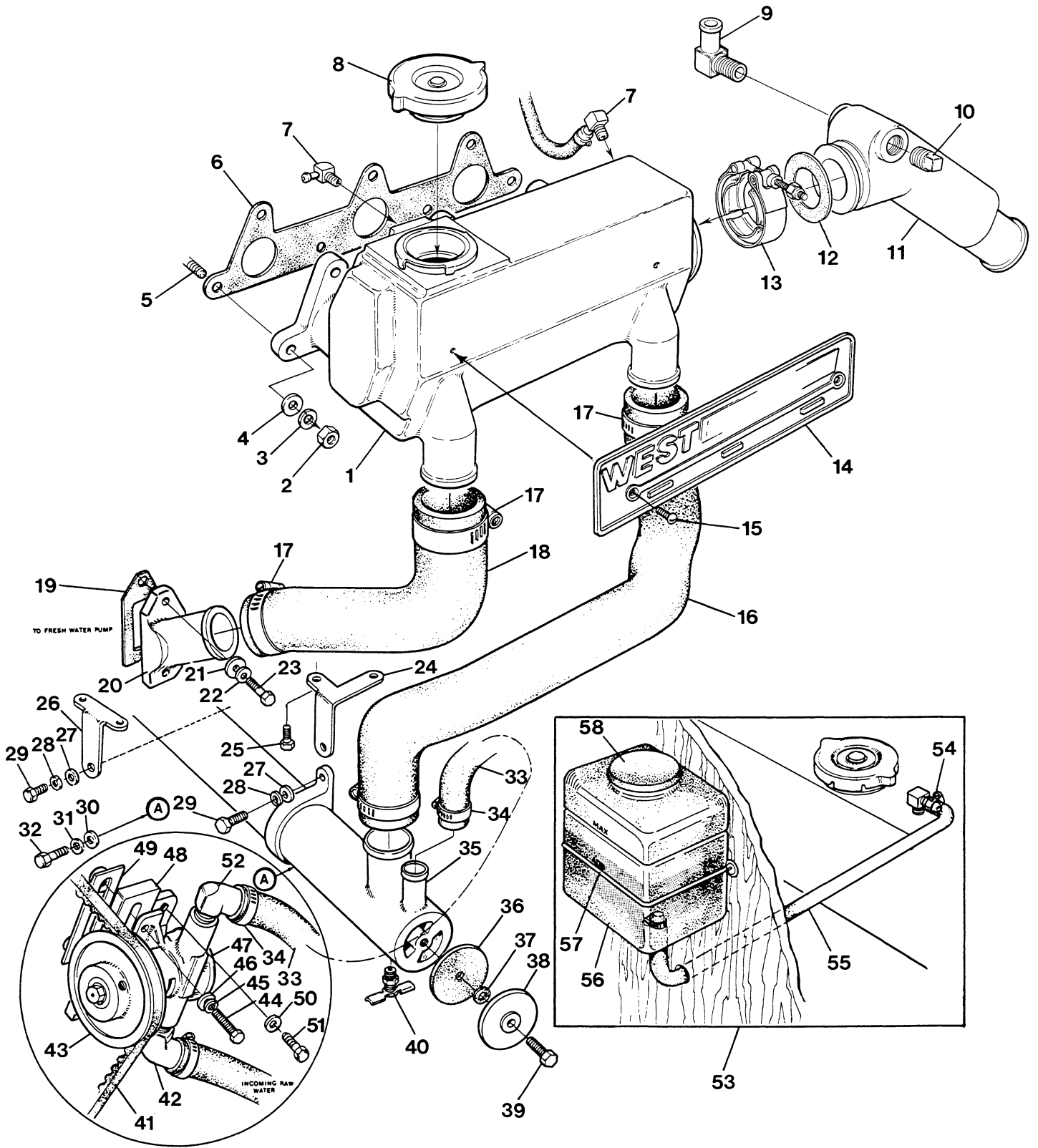
WESTERBEKE 9.0 BTG GENERATOR - LUBE OIL PUMP



WESTERBEKE 9.0 BTG GENERATOR - LUBE OIL PUMP

REF	PN	NAME	REMARKS	QUAN
1	035590	SPROCKET	OIL PUMP DRIVE	1
2	035801	CAPSCREW	M 8 X 16 JIS INCL WASHER & LOCKWASHER	1
3	035559	CHAIN	OIL PUMP DRIVE	1
4	035551	SPROCKET		1
5	035581	PUMP	OIL	1
6	035637	O-RING		1
7	035593	LINE	OIL PUMP TO BLOCK	1
8	035799	CAPSCREW	M 6 X 14 JIS INCL LOCKWASHER	2
9	035637	O-RING		1
10	035589	GASKET	STRAINER TO OIL PUMP	1
11	035587	STRAINER	OIL PICKUP	1
12	035799	CAPSCREW	M 6 X 14 JIS INCL LOCKWASHER	2
13	035793	CAPSCREW	M 8 X 25 JIS INCL LOCKWASHER	2
14	035788	CAPSCREW	M 6 X 28 JIS INCL LOCKWASHER	3
15	035583	COVER	OIL PUMP	1
16	035579	ROTOR	OIL PUMP	1
17		HOUSING	OIL PUMP-SEE REF 5	1
18	035585	VALVE	OIL RELIEF	1
19	035652	SPRING	OIL RELIEF VALVE	1
20	035586	RETAINER	OIL RELIEF VALVE	1
21	035812	PIN	COTTER	1

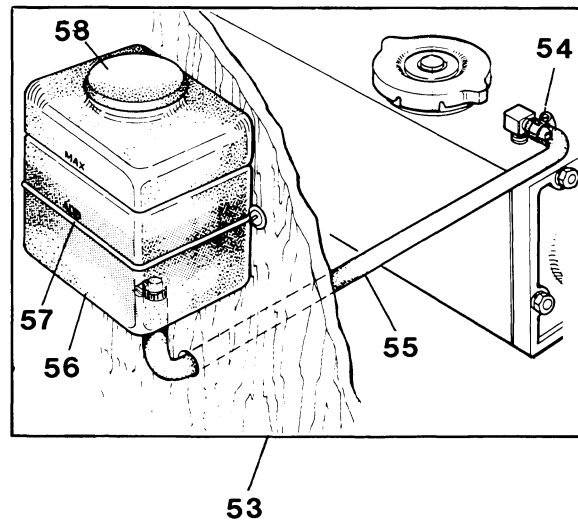
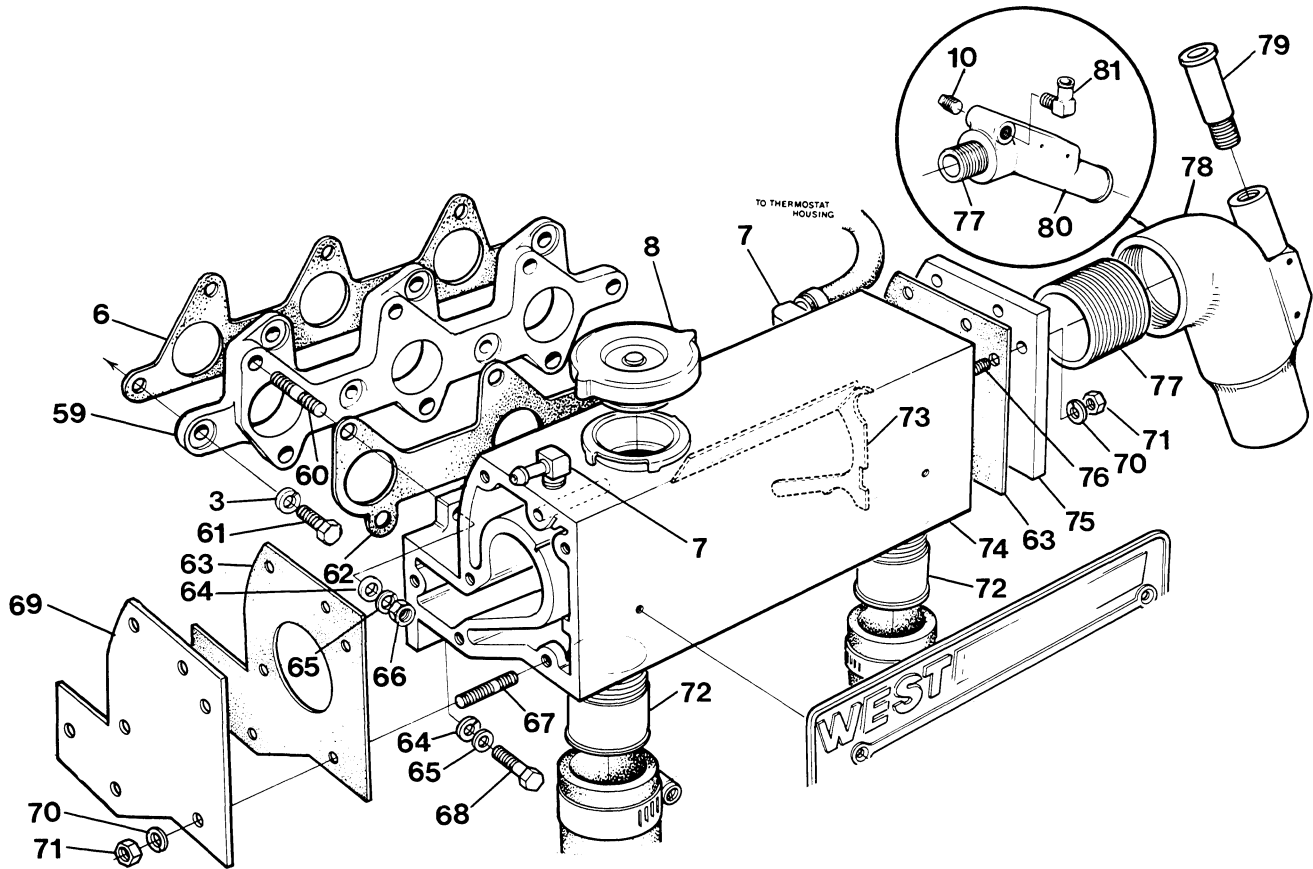
WESTERBEKE 9.0 BTG GENERATOR - COOLING SYSTEM



WESTERBEKE 9.0 BTG GENERATOR - COOLING SYSTEM

REF	PN	NAME	REMARKS	QUAN
1	037317	MANIFOLD	EXHAUST	1
2	018242	NUT	M 8 DIN 934	7
3	031786	LOCKWASHER	M 8 DIN 127	7
4	031787	WASHER	M 8 DIN 125	7
5	015830	STUD	M 8 X 25 DIN 939	7
6	035154	GASKET	MANIFOLD TO HEAD	1
7	024907	ELBOW	1/8NPT TO 5/16 HOSE	2
8	024306	CAP	PRESSURE	1
9	036616	ELBOW	1/2NPT TO 1 HOSE	1
10	035747	PLUG	1/2NPT	1
11	037402	ELBOW KIT	WATER INJECTED 45 DEG INCL REF 9 - 13	1
12	036425	GASKET	EXHAUST ELBOW TO MANIFOLD	1
13	036541	CLAMP	EXHAUST ELBOW TO MANIFOLD	1
14	035411	NAMEPLATE		1
15	031935	SCREW	8-32 X 1/4 OVAL HEAD SS	2
16	035099	HOSE	EXCHANGER TO MANIFOLD	1
17	021878	CLAMP	HOSE 20	4
18	024334	HOSE	MANIFOLD TO FRESH WATER PUMP	1
19	035255	GASKET	CONNECTOR TO FRESH WATER PUMP	1
20	035186	CONNECTOR	FRESH WATER PUMP	1
21	031787	WASHER	M 8 DIN 125	2
22	031786	LOCKWASHER	M 8 DIN 127	2
23	013619	CAPSCREW	M 8 X 30 DIN 933	2
24	035104	BRACKET	EXCHANGER MOUNTING TO BLOCK - LEFT	1
25	035800	CAPSCREW	M 6 X 16 JIS INCL LOCKWASHER	4
26	035103	BRACKET	EXCHANGER MOUNTING TO BLOCK - RIGHT	1
27	031759	WASHER	FLAT 5/16	2
28	031758	LOCKWASHER	5/16	2
29	031553	CAPSCREW	5/16NC X 3/4	2
30	031753	WASHER	FLAT 1/4	2
31	031752	LOCKWASHER	1/4	2
32	031506	CAPSCREW	1/4NC X 1-1/4	2
33	037443	HOSE	SEA WATER PUMP TO EXCHANGER	1
34	011386	CLAMP	HOSE 12	2
35-1	036901	EXCHANGER	HEAT	1
35-2	036622	NIPPLE	3/4NPT TO 1 HOSE	1
36	022851	GASKET	EXCHANGER END	2
37	019321	O-RING		2
38	022850	COVER	EXCHANGER END	2
39	022852	CAPSCREW	3/8NC X 1/2 BRASS	2
40	011471	PETCOCK		1
41	033361	BELT	SEA WATER PUMP DRIVE	1
42	036612	ELBOW	3/8NPT TO 1 HOSE	1
43	035265	PULLEY	SEA WATER PUMP DRIVE	1
44	031506	CAPSCREW	1/4NC X 1-1/4	2
45	031752	LOCKWASHER	1/4	2
46	031753	WASHER	FLAT 1/4	2
47	032617	PUMP	SEA WATER	1
48	035260	BRACKET	SEA WATER PUMP MOUNTING	1
49	033018	PLATE	SEA WATER PUMP ADJUSTING	1
50	019262	LOCKWASHER	M10 DIN 127	2
51	031228	CAPSCREW	M10 X 1.25 X 30 DIN 961	2
52	034710	ELBOW	3/8NPT TO 7/8 HOSE	1

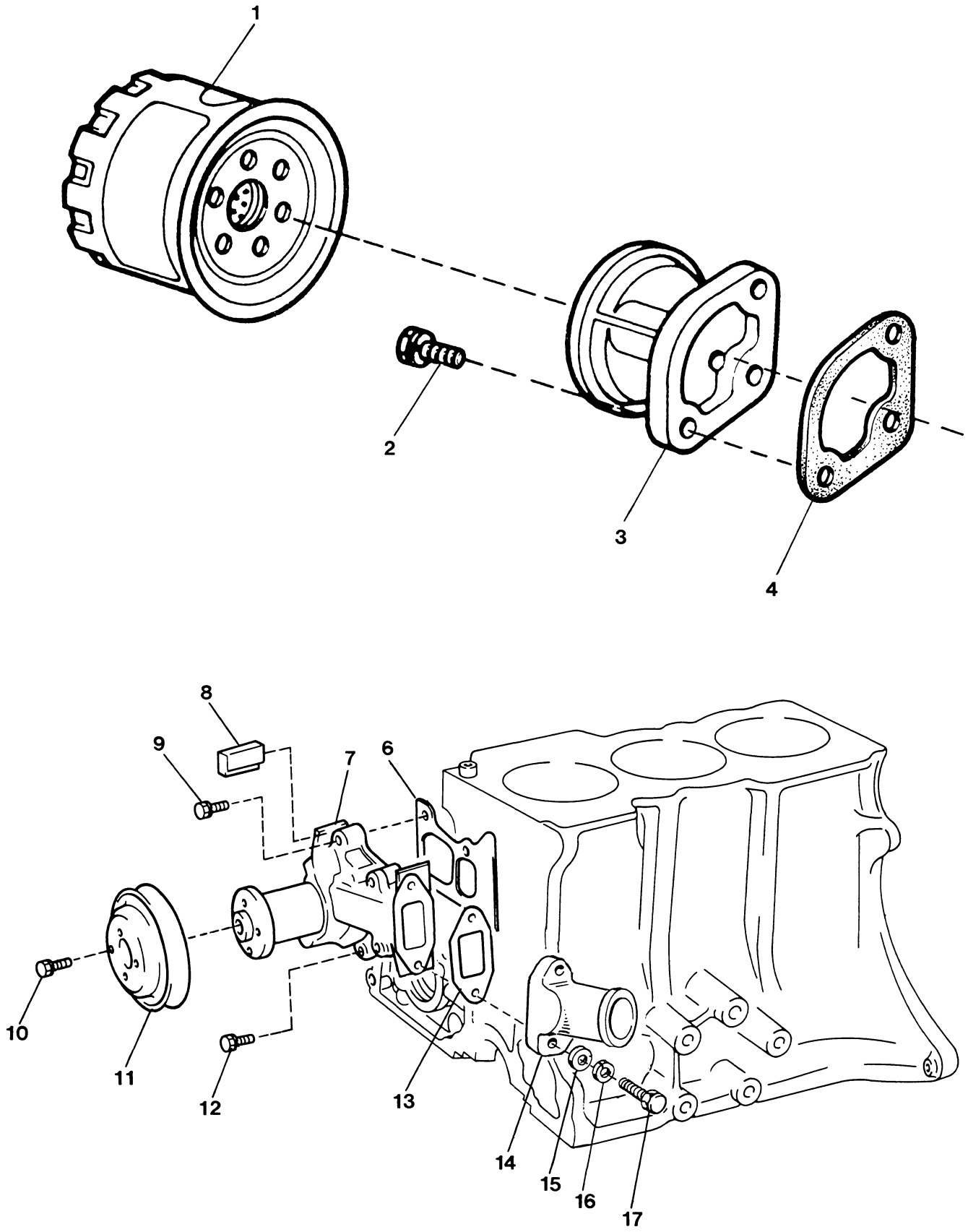
WESTERBEKE 9.0 BTG GENERATOR - COOLING SYSTEM



WESTERBEKE 9.0 BTG GENERATOR - COOLING SYSTEM

REF	PN	NAME	REMARKS	QUAN
53	024977	KIT	COOLANT RECOVERY TANK	1
54	024906	CLAMP	HOSE	2
55	024637	TUBING	COOLANT RECOVERY TANK - INCHES REQUIRED	30
56	024704	TANK	COOLANT RECOVERY	1
57	024786	STRAP	COOLANT RECOVERY TANK MOUNTING	1
58	024858	CAP	COOLANT RECOVERY TANK	1
59	034722	ADAPTER	MANIFOLD TO HEAD	1
60	011263	STUD		3
61	017196	CAPSCREW	M 8 X 20 DIN 933	7
62	034724	GASKET	MANIFOLD TO ADAPTER	1
63	034660	GASKET	MANIFOLD END	2
64	031759	WASHER	FLAT 5/16	6
65	031758	LOCKWASHER	5/16	6
66	031760	NUT	5/16NF	3
67	011928	STUD		6
68	031555	CAPSCREW	5/16NC X 1	3
69	034661	COVER	MANIFOLD END - FRONT	1
70	031758	LOCKWASHER	5/16	12
71	031760	NUT	5/16NF	12
72	034424	NIPPLE	1NPT TO 1-3/8 HOSE	2
73		BAFFLE	MANIFOLD	1
74	037326	MANIFOLD	KIT-CONVERSION INCL REF 1-8 PLUS ADAPTER	1
75	034734	FLANGE	MANIFOLD END - REAR	1
76	011263	STUD		6
77-1	020439	NIPPLE	1.5NPT CLOSE-USE LOC-TITE ANITSIEZE ALSO	1
77-2	036660	ADAPTER	1.5NPT MALE TO V-CLAMP	1
78	033067	ELBOW	WATER INJECTED EXHAUST 90 DEGREE 1.5NPT	1
79	032230	NIPPLE	1/2NPT TO 7/8 HOSE	1
80	034486	ELBOW	WATER INJECTED EXHAUST 45 DEGREE 1.5NPT	1
81-1	030183	ELBOW	1/2NPT TO 7/8 HOSE	1
81-2	036616	ELBOW	1/2NPT TO 1 HOSE	1

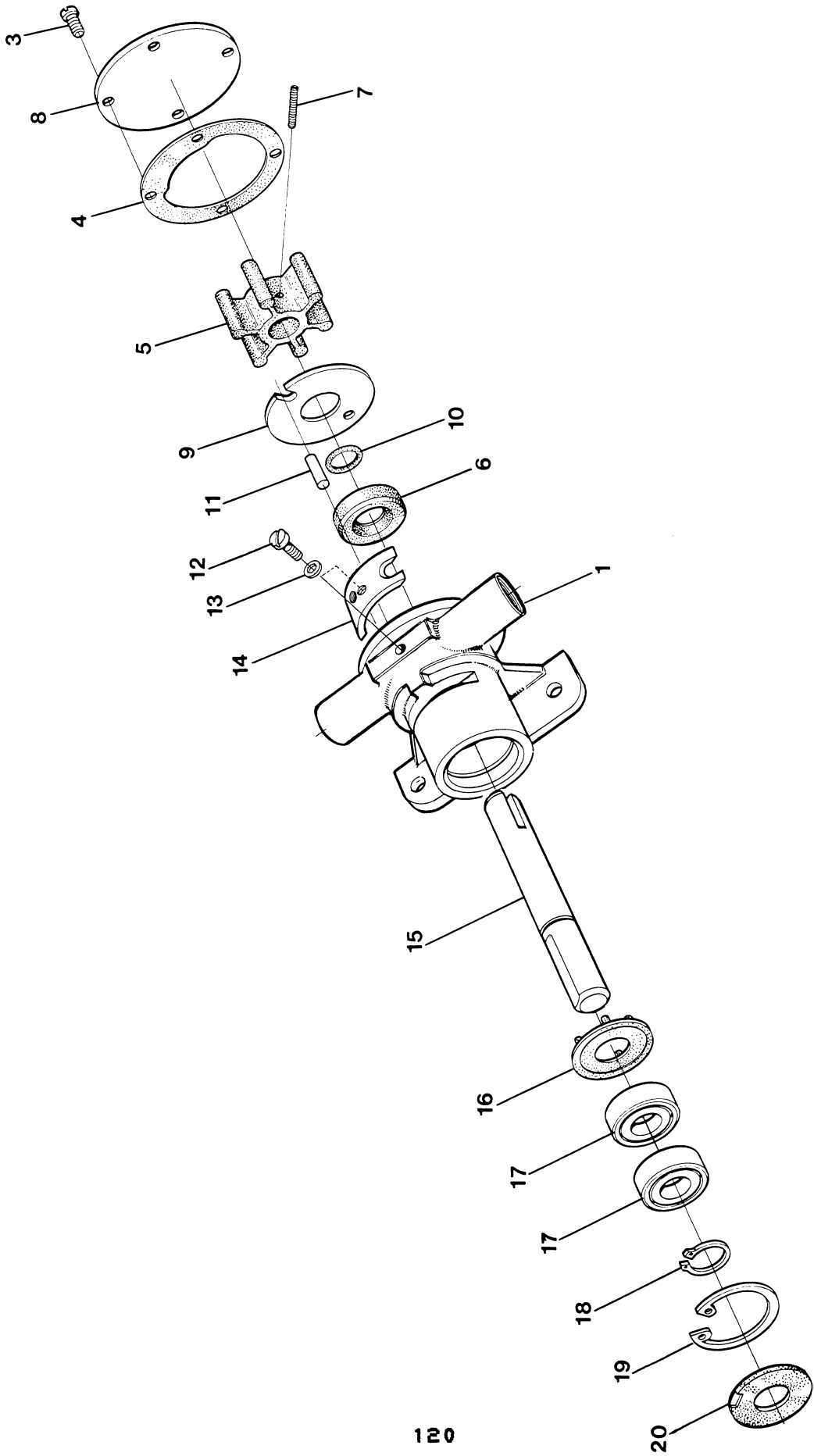
WESTERBEKE 9.0 BTG GENERATOR - FRESH WATER PUMP - LUBE OIL FILTER



WESTERBEKE 9.0 BTG GENERATOR - FRESH WATER PUMP - LUBE OIL FILTER

REF	PN	NAME	REMARKS	QUAN
1	035595	FILTER	LUBE OIL	1
2	035598	GASKET	FILTER ADAPTER TO BLOCK	1
3	035793	CAPSCREW	M 8 X 25 JIS INCL LOCKWASHER	2
4	035596	ADAPTER	FILTER TO BLOCK	1
6	035602	GASKET	FRESH WATER PUMP TO BLOCK	1
7	035599	PUMP	FRESH WATER INCL GASKET	1
8	035642	SEAL	DUST	2
9	035794	CAPSCREW	M 8 X 30 JIS INCL LOCKWASHER	1
10	035785	CAPSCREW	M 6 X 12 JIS INCL LOCKWASHER	4
11	035604	PULLEY	FRESH WATER PUMP	1
12	035796	CAPSCREW	M 8 X 40 JIS INCL LOCKWASHER	2
13	035255	GASKET	FRESH WATER PUMP TO CONNECTOR	1
14	035186	CONNECTOR	FRESH WATER PUMP	1
15	031787	WASHER	M 8 DIN 125	2
16	031786	LOCKWASHER	M 8 DIN 127	2
17	013619	CAPSCREW	M 8 X 30 DIN 933	2

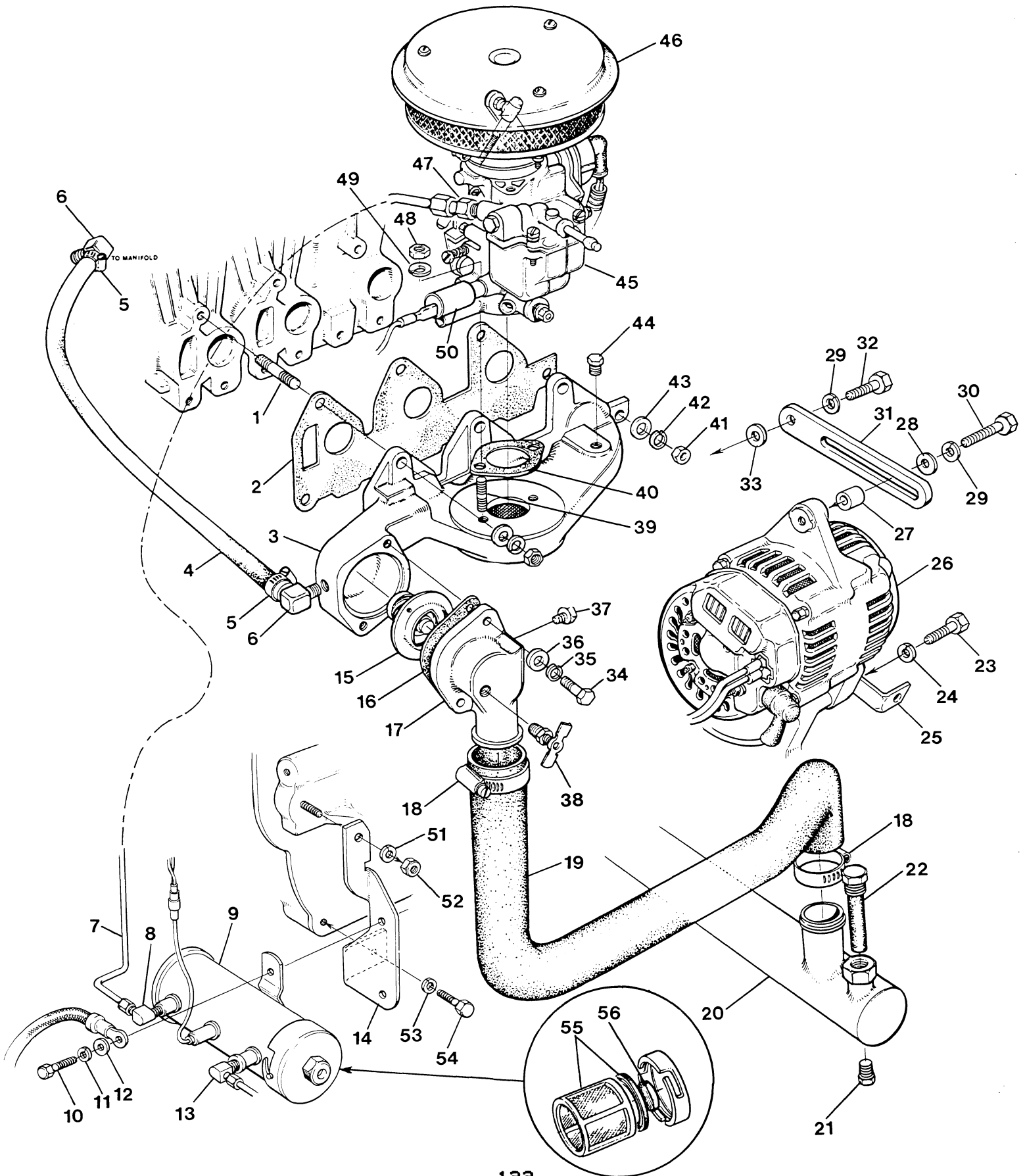
WESTERBEKE 9.0 BTG GENERATOR - SEA WATER PUMP



WESTERBEKE 9.0 BTG GENERATOR - SEA WATER PUMP

REF	PN	NAME	REMARKS	QUAN
1	032617	PUMP	SEA WATER	1
2	032620	KIT	IMPELLER INCL REF 3 THRU 7	1
3		SCREW	COVER-SEE KIT REF 2	4
4	033032	GASKET	IMPELLER COVER	1
5		IMPELLER	SEE KIT REF 2	1
6		SEAL	SEE KIT REF 2	1
7		SCREW	IMPELLER-SEE KIT REF 2	1
8	032625	COVER	IMPELLER	1
9	033036	PLATE	WEAR	1
10		O-RING		1
11		DOWEL		1
12	033038	SCREW	CAM	1
13	033037	WASHER		1
14	033031	CAM		1
15		SHAFT		1
16		COVER	BEARING-INNER	1
17		BEARING		2
18		RING	RETAINING	1
19		RING	RETAINING	1
20		COVER	BEARING-OUTER	1
21-1		NOTE	ABSENCE OF A PART NUMBER INDICATES THAT	
21-2			ITEM IS NOT AVAILABLE AS A LOOSE PART	

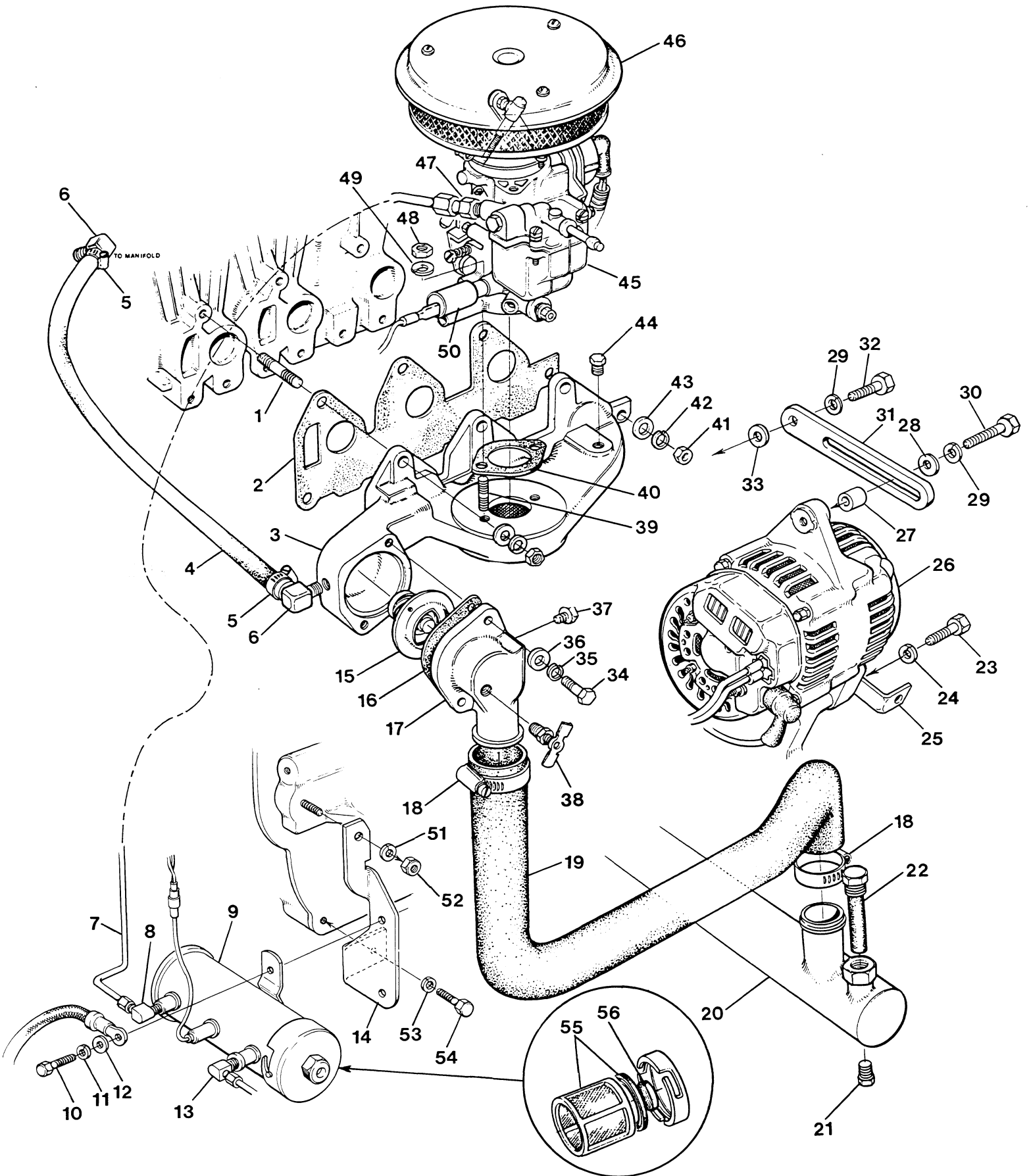
WESTERBEKE 9.0 BTG GENERATOR - FUEL SYSTEM - COOLING (RIGHT SIDE)



WESTERBEKE 9.0 BTG GENERATOR - FUEL SYSTEM - COOLING (RIGHT SIDE)

REF	PN	NAME	REMARKS	QUAN
1	015830	STUD	M 8 X 25 DIN 939	7
2	035152	GASKET	INTAKE MANIFOLD TO HEAD	1
3	034860	MANIFOLD	INTAKE	1
4	035434	HOSE	BYPASS THERMOSTAT TO MANIFOLD	1
5	024906	CLAMP	HOSE	2
6	024907	ELBOW	1/8NPT TO 5/16 HOSE	2
7	036383	TUBE	LIFT PUMP TO CARBURETOR	1
8-1	013329	ELBOW	COMPRESSION INCL NUT & FERRULE	1
8-2	016676	NUT	COMPRESSION 1/4	1
8-3	011597	FERRULE	COMPRESSION 1/4	1
9	033630	PUMP	ELECTRIC FUEL LIFT 12VDC	1
10	031501	CAPSCREW	1/4NC X 1/2	2
11	031753	WASHER	FLAT 1/4	2
12	031752	LOCKWASHER	1/4	2
13	013340	ELBOW	1/8NPT STREET 90 BRASS	1
14	036378	BRACKET	LIFT PUMP MOUNTING	1
15	035736	THERMOSTAT		1
16	034196	GASKET	THERMOSTAT HOUSING	1
17	034416	HOUSING	THERMOSTAT	1
18	021878	CLAMP	HOSE 20	2
19	035098	HOSE	THERMOSTAT TO EXCHANGER	1
20	036901	EXCHANGER	HEAT	1
21	019369	PLUG	1/8NPT BRASS	1
22	011885	ZINC		1
23	024955	CAPSCREW	M10 X 1.25 X 45 DIN 960	1
24	019262	LOCKWASHER	M10 DIN 127	1
25	036418	BRACKET	BELT GUARD	1
26	036401	ALTERNATOR	35 AMP 12VDC	1
27	021885	SPACER	ALTERNATOR TO ADJUSTING STRAP	1
28	033381	WASHER	ADJUSTING STRAP	1
29	031786	LOCKWASHER	M 8 DIN 127	2
30	018811	CAPSCREW	M 8 X 40 DIN 931	1
31	035338	STRAP	ADJUSTING	1
32	013619	CAPSCREW	M 8 X 30 DIN 933	1
33	033381	WASHER	ADJUSTING STRAP TO GOVERNOR BRACKET	1
34	031555	CAPSCREW	5/16NC X 1	2
35	031758	LOCKWASHER	5/16	2
36	031759	WASHER	FLAT 5/16	2
37	019369	PLUG	1/8NPT BRASS	1
38	011471	PETCOCK		1

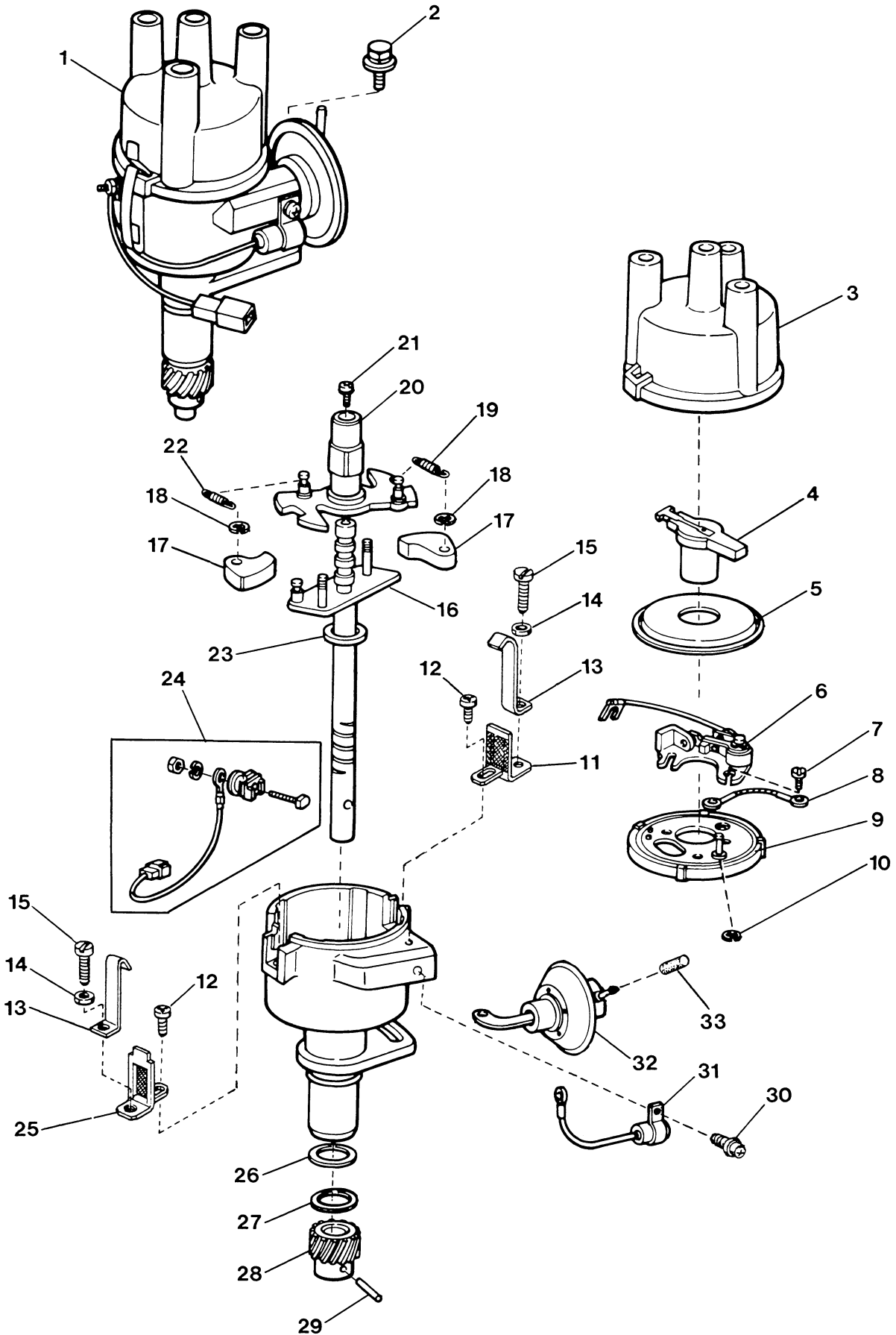
WESTERBEKE 9.0 BTG GENERATOR - FUEL SYSTEM - COOLING (RIGHT SIDE)



WESTERBEKE 9.0 BTG GENERATOR - FUEL SYSTEM - COOLING (RIGHT SIDE)

REF	PN	NAME	REMARKS	QUAN
39	035337	STUD		2
40	035293	GASKET	CARBURETOR TO INTAKE MANIFOLD	1
41	018242	NUT	M 8 DIN 934	7
42	031786	LOCKWASHER	M 8 DIN 127	7
43	031787	WASHER	M 8 DIN 125	7
44	019369	PLUG	1/8NPT BRASS	1
45	035343	CARBURETOR	ASSEMBLY	1
46	035289	ARRESTOR	FLAME	1
47-1	019449	CONNECTOR	COMPRESSION INCL NUT & FERRULE	1
47-2	016676	NUT	COMPRESSION 1/4	1
47-3	011597	FERRULE	COMPRESSION 1/4	1
48	031750	NUT	1/4NC	2
49	031752	LOCKWASHER	1/4	2
50-1	036006	SOLENOID	FUEL	1
50-2	011943	WASHER		1
51	024957	NUT	M12 X 1.25 DIN 934	1
52	031792	LOCKWASHER	M12 DIN 127	1
53	019262	LOCKWASHER	M10 DIN 127	1
54	013629	CAPSCREW	M10 X 25 DIN 933	1
55	035920	FILTER	LIFT PUMP INCL GASKET	1
56	033792	MAGNET	LIFT PUMP	1

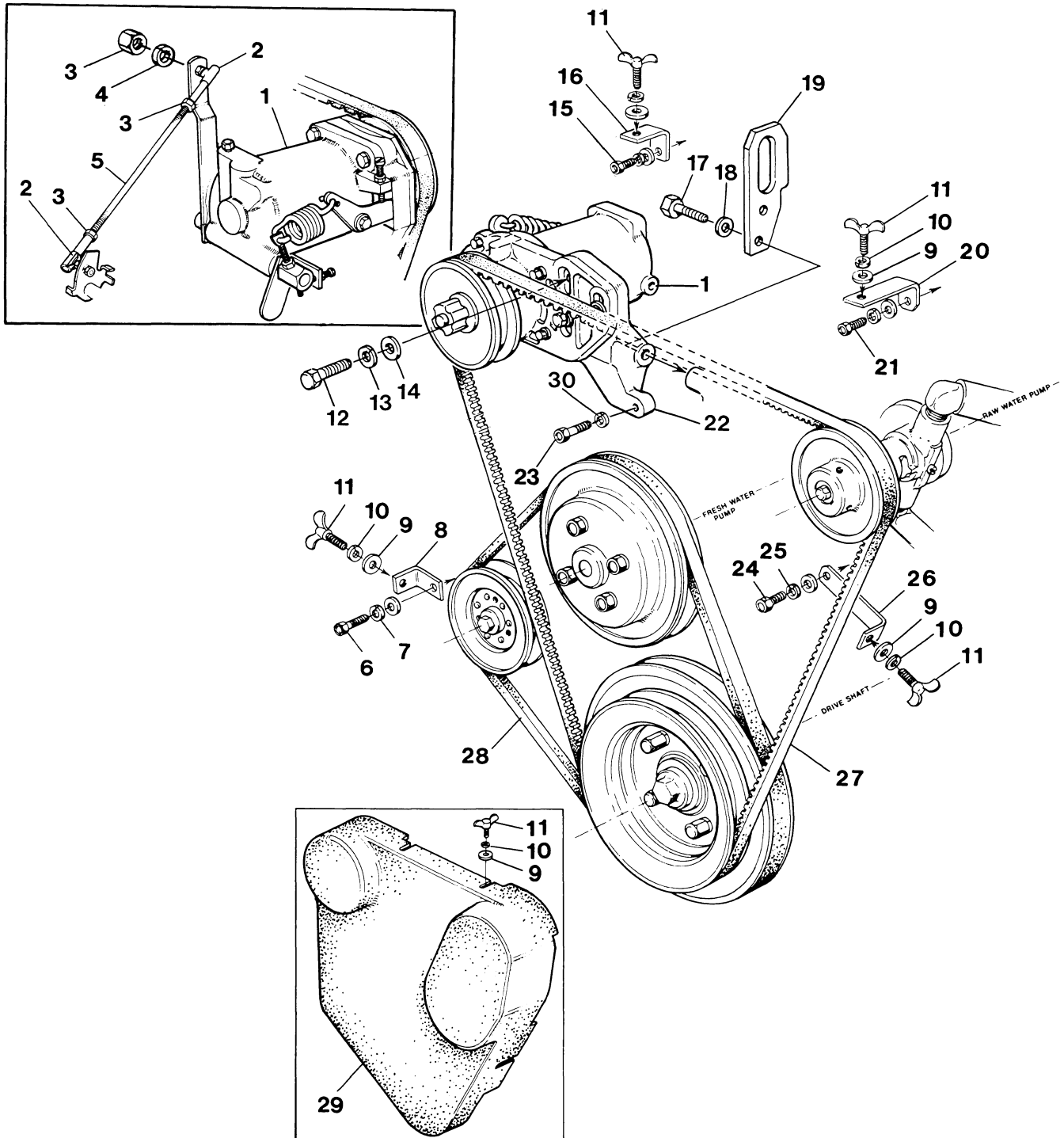
WESTERBEKE 9.0 BTG GENERATOR - DISTRIBUTOR



WESTERBEKE 9.0 BTG GENERATOR - DISTRIBUTOR

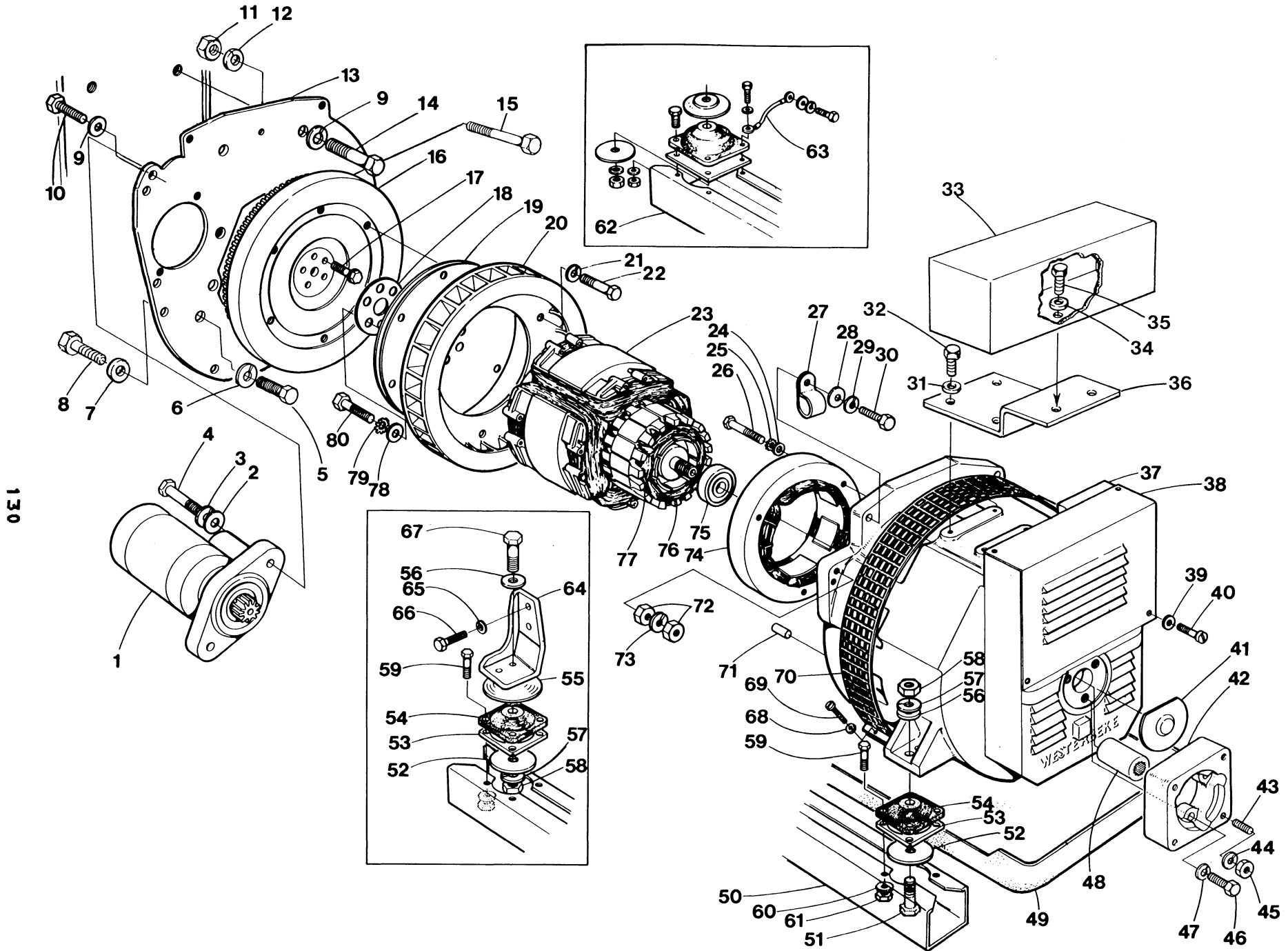
REF	PN	NAME	REMARKS	QUAN
1	036178	DISTRIBUTR	ASSEMBLY	1
2	035781	CAPSCREW	DISTRIBUTOR	1
3	035608	CAP	DISTRIBUTOR	1
4	035609	ROTOR		1
5	035617	COVER	DUST	1
6	035740	CONTACT	SET	1
7	035744	SCREW		2
8	035742	WIRE	DISTRIBUTOR	1
9	035741	PLATE		1
10	035745	WASHER		1
11	035174	BRACKET		1
12	035672	SCREW		2
13	035168	CLAMP	DISTRIBUTOR CAP	2
14	031844	LOCKWASHER		2
15	031924	SCREW	M 4 X 12 DIN 84A	2
16	036160	GOVERNOR	ASSEMBLY-INCL REF 16-22	1
17		WEIGHT	GOVERNOR-SEE REF 16	2
18		RING	RETAINING-SEE REF 16	2
19		SPRING	GOVERNOR-SEE REF 16	1
20		CAM	ASSEMBLY-SEE REF 16	1
21		SCREW	SEE REF 16	1
22		SPRING	GOVERNOR-SEE REF 16	1
23-1	036164	WASHER	THRUST	AR
23-2	036163	WASHER	THRUST	AR
24	035743	TERMINAL	DISTRIBUTOR	1
25	035175	BRACKET		1
26	035677	O-RING		1
27	035679	WASHER		2
28	035618	GEAR	INCLUDING PIN	1
29		PIN	SEE REF 28	1
30	035673	SCREW		1
31	035681	CONDENSER		1
32	036161	MODULE	VACUUM ADVANCE	1
33	033885	CAP	VINYL	2

WESTERBEKE 9.0 BTG GENERATOR - GOVERNOR - BELTS - BELT GUARD



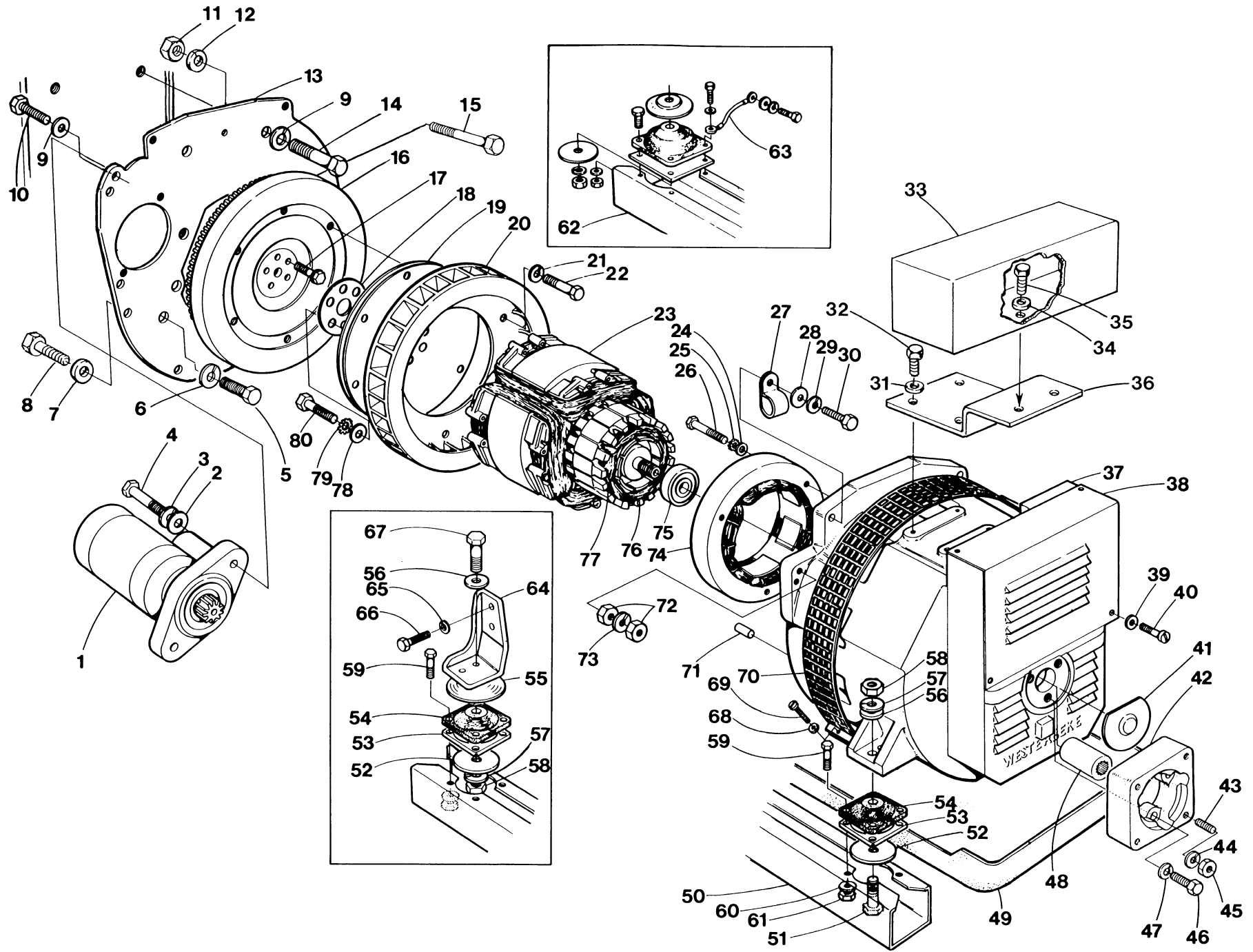
WESTERBEKE 9.0 BTG GENERATOR - GOVERNOR - BELTS - BELT GUARD

REF	PN	NAME	REMARKS	QUAN
1	036380	GOVERNOR		1
2	019364	BALL JOINT		2
3	031847	NUT	10-32	4
4	031849	LOCKWASHER	10	2
5	036423	ROD	GOVERNOR TO CARBURETOR	1
6	024955	CAPSCREW	M10 X 1.25 X 45 DIN 960	1
7	019262	LOCKWASHER	M10 DIN 127	1
8	036418	BRACKET	BELT GUARD	1
9	033372	WASHER	BELT GUARD	4
10	031849	LOCKWASHER	10	4
11	033228	SCREW	WING	4
12	031605	CAPSCREW	3/8NC X 1	3
13	031764	LOCKWASHER	3/8	3
14	031765	WASHER	FLAT 3/8	3
15	035782	BOLT	TIMING COVER	1
16	036419	BRACKET	BELT GUARD	1
17	024960	CAPSCREW	M12 X 1.25 X 35 DIN 961	1
18	031792	LOCKWASHER	M12 DIN 127	1
19	035267	EYE	LIFTING	1
20	036417	BRACKET	BELT GUARD	1
21	035810	CAPSCREW	M 6 X 25 JIS INCL WASHER & LOCKWASHER	1
22	036368	BRACKET	GOVERNOR	1
23	013630	CAPSCREW	M 8 X 25 DIN 933	1
24	013590	CAPSCREW	M 6 X 30 DIN 933	1
25	031783	LOCKWASHER	M 6 DIN 127	1
26	035327	BRACKET	BELT GUARD	1
27	033361	BELT	GOVERNOR & SEA WATER PUMP	1
28	013585	BELT	FRESH WATER PUMP & ALTERNATOR	1
29	036396	GUARD	BELT	1
30	031786	LOCKWASHER	M 8 DIN 127	1



WESTERBEKE 9.0 BTG GENERATOR - BACK END - GENERATOR - MOUNTS

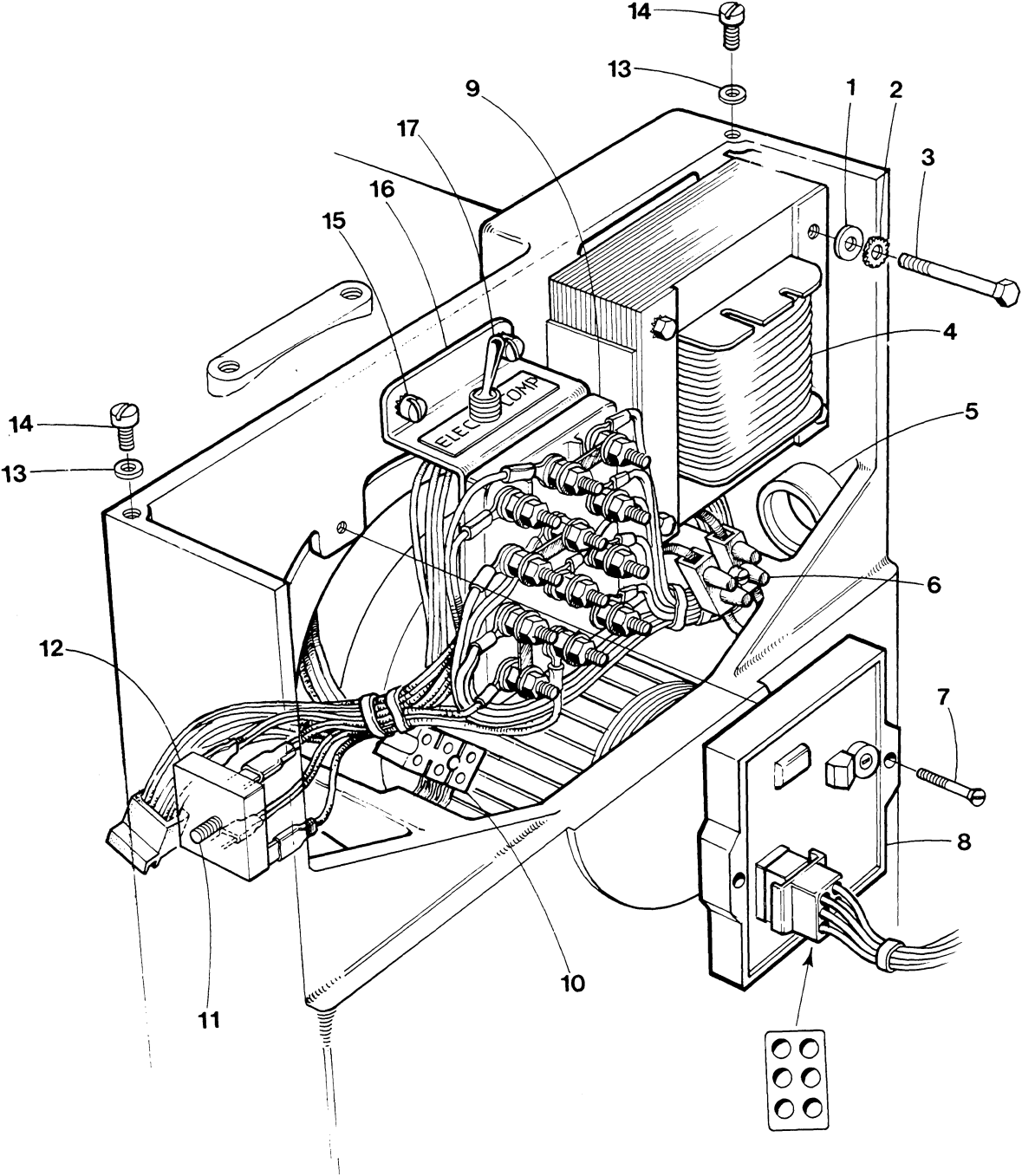
REF	PN	NAME	REMARKS	QUAN
1	034552	MOTOR	STARTER 12VDC	1
2	031789	WASHER	M10 DIN 125	2
3	019262	LOCKWASHER	M10 DIN 127	2
4	034589	CAPSCREW	M10 X 30 DIN 933	2
5	024959	CAPSCREW	M12 X 1.25 X 25 DIN 961	3
6	031792	WASHER	M12 DIN 125	3
7	019262	LOCKWASHER	M10 DIN 127	5
8	013629	CAPSCREW	M10 X 25 DIN 933	5
9	019262	LOCKWASHER	M10 DIN 127	2
10	013631	CAPSCREW	M10 X 55 DIN 933	1
11	024957	NUT	M12 X 1.25 DIN 934	1
12	031792	LOCKWASHER	M12 DIN 127	1
13	034762	PLATE	BACK	1
14	024952	CAPSCREW	M10 X 1.25 X 25 DIN 961	1
15	024963	CAPSCREW	M12 X 1.25 X 50 DIN 960	1
16-1	034760	FLYWHEEL	WITH RING GEAR	1
16-2	032996	GEAR	RING	1
17	024952	CAPSCREW	M10 X 1.25 X 25 DIN 961	6
18	035928	PLATE	THRUST-DRIVE DISC TO ARMATURE	1
19	035927	PLATE	DRIVE DISC	2
20	035929	FAN		1
21	031835	LOCKWASHER	M 8 DIN 6797J	8
22	037338	CAPSCREW	ARMATURE TO FLYWHEEL	8
23	035930	ARMATURE		1
24	031919	CAPSCREW	M 5 X 35 DIN 912	3
25	031914	LOCKWASHER	M 5 DIN 6797A	3
26	031781	WASHER	M 5 DIN 125	3
27	013760	CLAMP		1
28	031789	WASHER	M10 DIN 125	2
29	019262	LOCKWASHER	M10 DIN 127	2
30	034470	CAPSCREW	M10 X 45 DIN 931	2
31	031783	LOCKWASHER	M 6 DIN 127	4
32	031825	CAPSCREW	M 6 X 12 DIN 933	4
33	035194	PANEL	GENERATOR CONTROL	1
34	031752	LOCKWASHER	1/4	2
35	031501	CAPSCREW	1/4NC X 1/2	2
36	036386	BRACKET	PANEL MOUNT	1
37-1	034728	GENERATOR		1
37-2	035934	STATOR	ASSEMBLY INCL HOUSING	1
38	035936	COVER		1
39	031914	LOCKWASHER	M 5 DIN 6797A	4
40	031918	SCREW	M 5 X 10 DIN 84A	4
41	034182	COVER	PTO INTERFACE	1



WESTERBEKE 9.0 BTG GENERATOR - BACK END - GENERATOR - MOUNTS

REF	PN	NAME	REMARKS	QUAN
42-1	034786	KIT	PTO INCL REF 42 THRU 48	1
42-2	034742	DRAWING	PTO INSTALLATION	1
42-3	034738	ADAPTER		1
43	034867	STUD	1/2NC	4
44	031776	LOCKWASHER	1/2	4
45	031774	NUT	1/2NC	4
46	013589	CAPSCREW	M12 X 40 DIN 933	3
47	031792	LOCKWASHER	M12 DIN 127	3
48	034737	DRIVE	PTO SAE-B SPLINE	1
49	036377	DRIPTRAY		1
50	035444	RAIL	ASSEMBLY-LEFT	1
51	031712	CAPSCREW	1/2NC X 2-3/4	2
52	024674	WASHER	SNUBBING	4
53	035271	PLATE	SPACER	4
54	024776	ISOLATOR		4
55	033530	SHIELD	ISOLATOR-FRONT	2
56	031777	WASHER	FLAT 1/2	4
57	031776	LOCKWASHER	1/2	4
58	031774	NUT	1/2NC	4
59	031557	CAPSCREW	5/16NC X 1-1/2	16
60	031758	LOCKWASHER	5/16	16
61	031756	NUT	5/16NC	16
62	035445	RAIL	ASSEMBLY-RIGHT	1
63	034593	STRAP	GROUND	1
64-1	034878	MOUNT	FRONT-LEFT	1
64-2	034880	MOUNT	FRONT-RIGHT	1
65-1	019262	LOCKWASHER	M10 DIN 127	4
65-2	031789	WASHER	M10 DIN 125	2
66	031228	CAPSCREW	M10 X 1.25 X 30 DIN 961	4
67	031712	CAPSCREW	1/2NC X 2-3/4	2
68	031914	LOCKWASHER	M 5 DIN 6797A	1
69	031920	SCREW	M 5 X 20 DIN 84A	1
70	035935	GUARD	AIR	1
71	019039	DOWEL		2
72	015887	NUT	M10 DIN 934	2
73	019262	LOCKWASHER	M10 DIN 127	1
74	035933	STATOR	EXCITER	1
75	035932	BEARING	BALL	1
76	035943	RESISTOR	POSI	1
77	035931	DIODE		6
78	031789	WASHER	M10 DIN 125	6
79	031915	LOCKWASHER	M10 DIN 6797A	6
80	013629	CAPSCREW	M10 X 25 DIN 933	6
81	035144	LABEL	AC OUTPUT CONNECTIONS	1

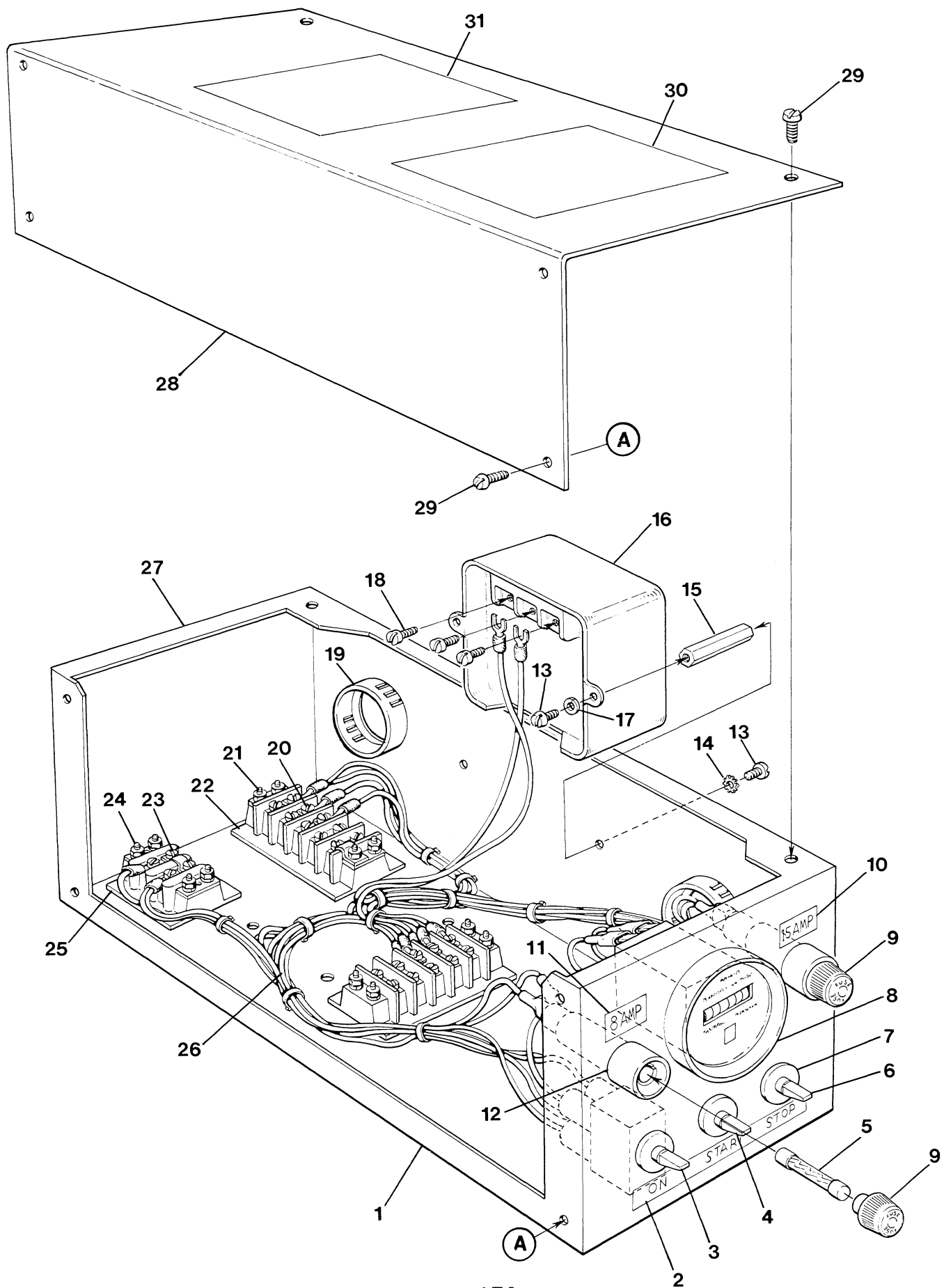
WESTERBEKE 9.0 BTG GENERATOR - AC OUTPUT



WESTERBEKE 9.0 BTG GENERATOR - AC OUTPUT

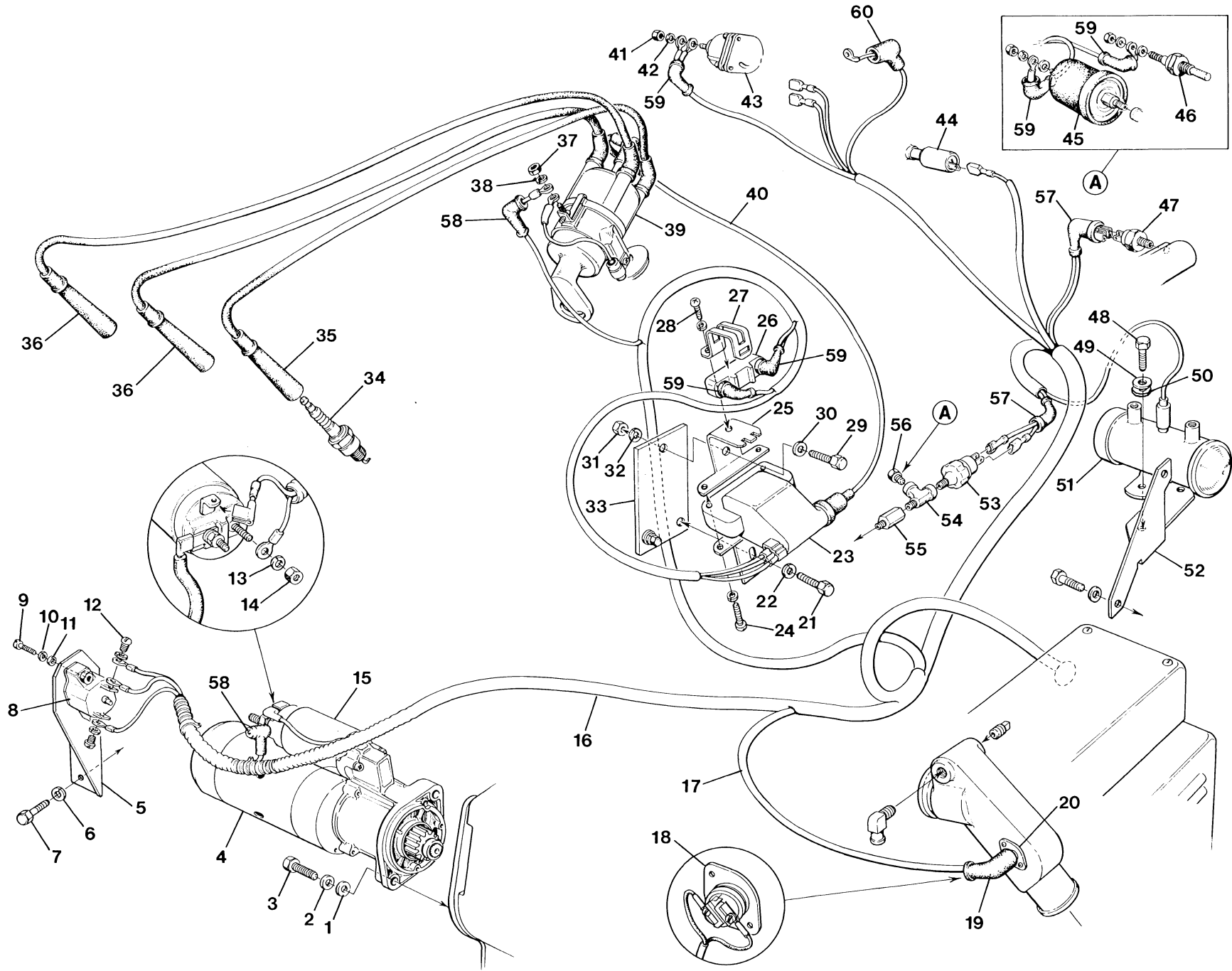
REF	PN	NAME	REMARKS	QUAN
1	031781	WASHER	M 5 DIN 125	4
2	031914	LOCKWASHER	M 5 DIN 6797A	4
3	031916	CAPSCREW	M 5 X 50 DIN 933	4
4	035937	TRANSFORMR	VOLTAGE REGULATION	1
5	035944	GROMMET	AC OUTPUT LEADS	1
6	035941	BLOCK	TERMINAL 2 POLE	1
7-1	031934	SCREW	M 4 X 20 DIN 84A	2
7-2	031917	LOCKWASHER	M 4 DIN 6797A	2
8	034410	REGULATOR	ELECTRONIC-VOLTAGE-OPTIONAL	1
9	035940	BLOCK	TERMINAL AC OUTPUT	2
10	035942	BLOCK	TERMINAL 3 POLE	1
11-1	031931	SCREW	M 5 X 15 DIN 84A	1
11-2	031914	LOCKWASHER	M 5 DIN 6797A	1
12	030809	RECTIFIER	BRIDGE	1
13	031914	LOCKWASHER	M 5 DIN 6797A	4
14	031918	SCREW	M 5 X 10 DIN 84A	4
15-1	031914	LOCKWASHER	M 5 DIN 6797A	2
15-2	031918	SCREW	M 5 X 10 DIN 84A	2
16	035939	BRACKET		1
17	035938	SWITCH	REGULATION SELECTION	1
18	035144	LABEL	AC OUTPUT CONNECTIONS	1

WESTERBEKE 9.0 BTG GENERATOR - CONTROL PANEL



WESTERBEKE 9.0 BTG GENERATOR - CONTROL PANEL

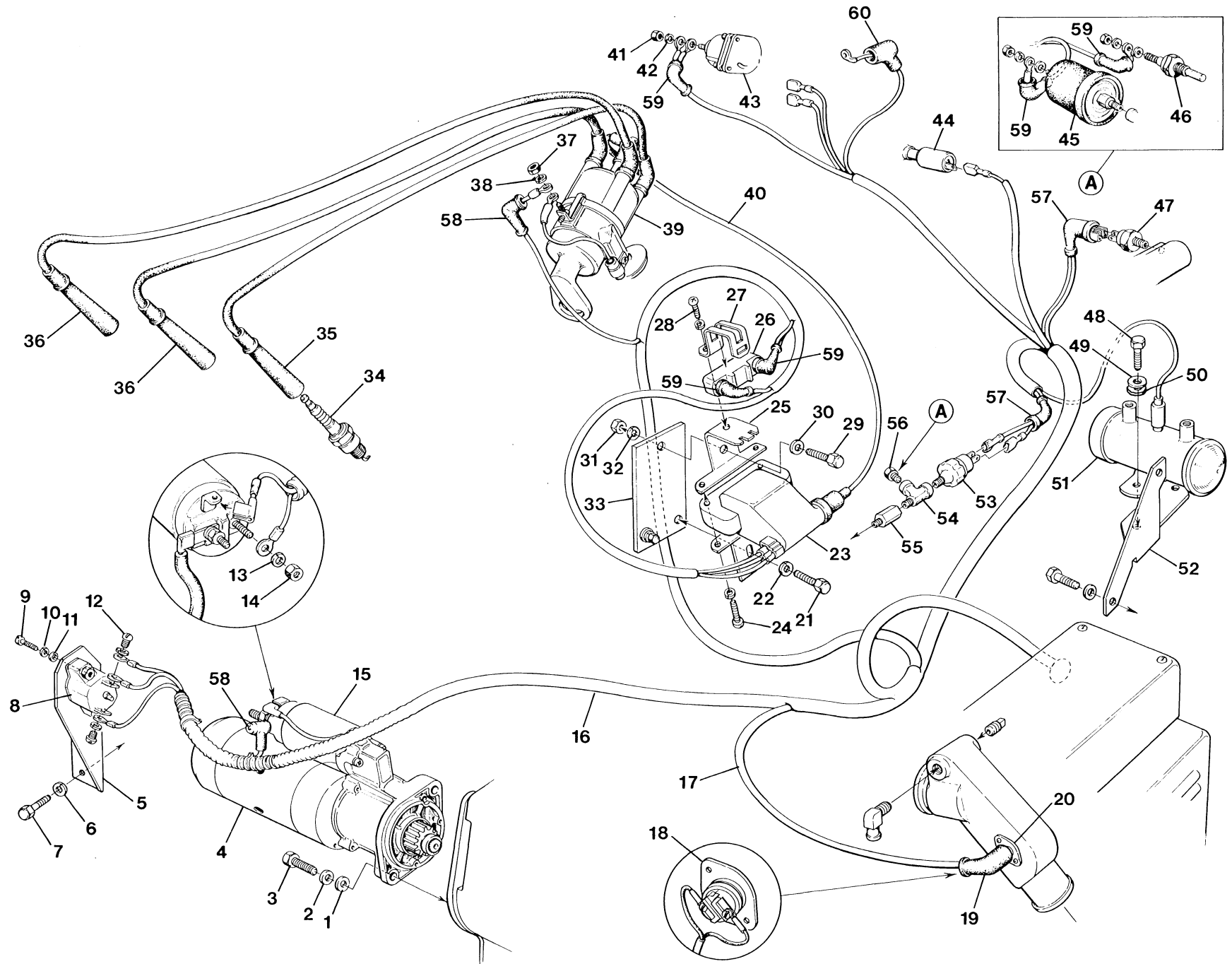
REF	PN	NAME	REMARKS	QUAN
1	035194	PANEL	COMPLETE INCLUDING HARNESS	1
2	033695	LABEL	TOGGLE SWITCH IDENTIFICATION	1
3	033633	SWITCH	ON	1
4	033632	SWITCH	START	1
5	033769	FUSE	8 AMP	1
6	033631	SWITCH	STOP	1
7	031999	RING	LOCK-TOGGLE SWITCH MOUNT	3
8	036192	METER	HOUR	1
9	011468	FUSE	15 AMP	1
10	036406	LABEL	15 AMP FUSE	1
11	036405	LABEL	8 AMP FUSE	1
12	033767	HOLDER	FUSE	2
13	031862	SCREW	8-32 X 3/8	4
14	031846	LOCKWASHER	8 EXT TOOTH	2
15	035429	STANDOFF		2
16	035421	SHUTDOWN	OVERSPEED	1
17	031845	LOCKWASHER	8 INT TOOTH	2
18	031853	SCREW	6-32 X 3/8	3
19	023938	BUSHING	SNAP	2
20-1	019121	BLOCK	TERMINAL	2
20-2	015223	JUMPER		2
21-1	015222	PLATE	SCREW	4
21-2	031855	SCREW	6-32 X 5/8	8
21-3	031841	LOCKWASHER	6 INT TOOTH	8
21-4	031837	NUT	6-32	8
22	019122	MARKER	TERMINAL BLOCK	2
23-1	012975	BLOCK	TERMINAL	1
23-2	013938	JUMPER		1
24-1	013856	PLATE	SCREW	2
24-2	031866	SCREW	8-32 X 7/8	4
24-3	031846	LOCKWASHER	8 EXT TOOTH	4
24-4	031842	NUT	8-32	4
25	013364	MARKER	TERMINAL BLOCK	1
26	036414	HARNESS	PANEL	1
27	036387	BOX	PANEL	1
28	036399	COVER	PANEL BOX	1
29	031891	SCREW	8-32 X 3/8 TRUSS HEAD	6
30	033514	LABEL	GENERATOR OPERATING INSTRUCTIONS	1
31	033748	LABEL	GASOLINE VAPOR WARNING	1
32	036398	HARNESS	ENGINE	1



WESTERBEKE 9.0 BTG GENERATOR - ELECTRICAL WIRING HARNESS

WESTERBEKE 9.0 BTG GENERATOR - ELECTRICAL WIRING HARNESS

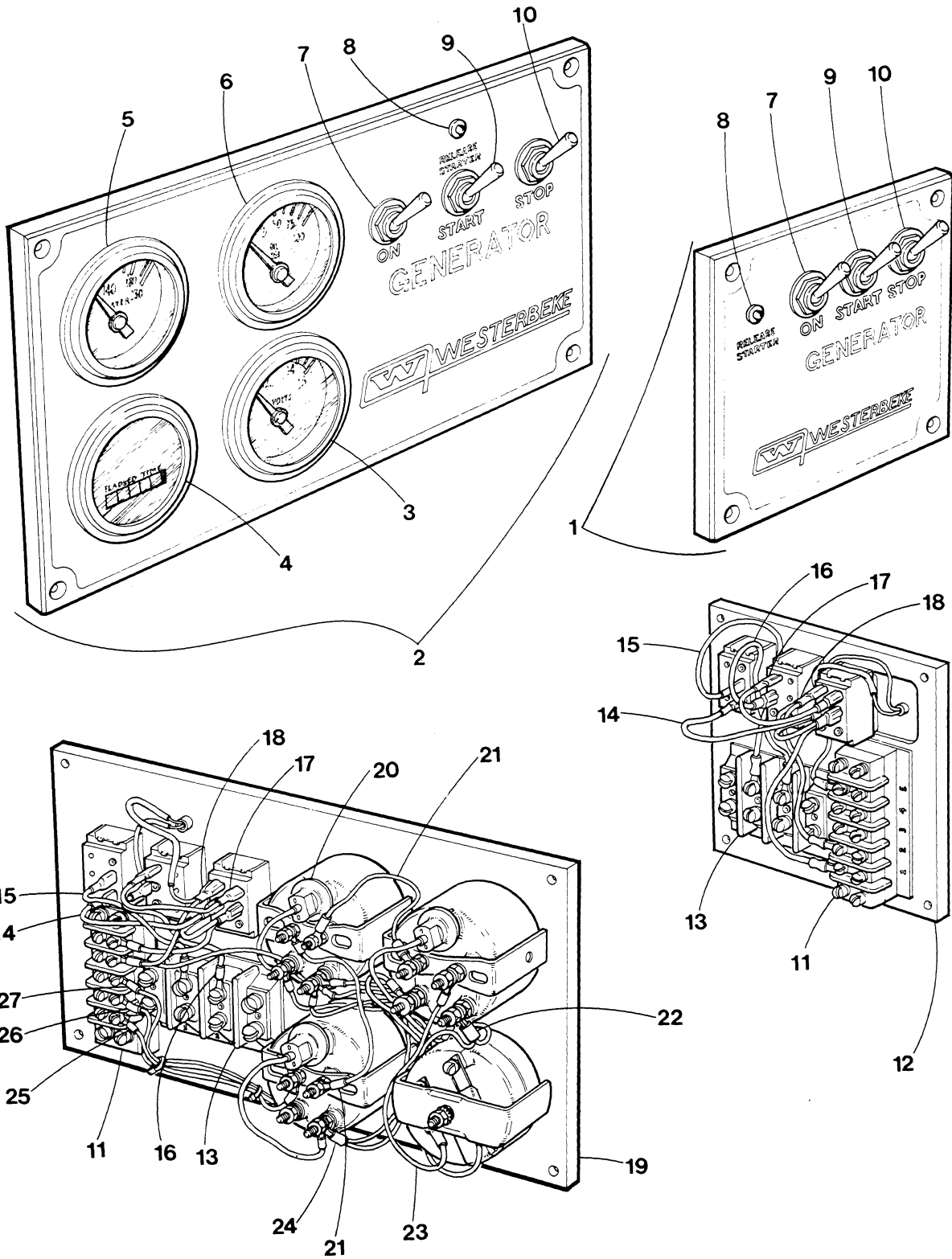
REF	PN	NAME	REMARKS	QUAN
1	031789	WASHER	M10 DIN 125	2
2	019262	LOCKWASHER	M10 DIN 127	2
3	034589	CAPSCREW	M10 X 30 DIN 933	2
4	034552	MOTOR	STARTER 12VDC	1
5	035095	BRACKET	CIRCUIT BREAKER	1
6	019262	LOCKWASHER	M10 DIN 127	2
7	024951	CAPSCREW	M10 X 1.25 X 20 DIN 961	2
8	024683	BREAKER	CIRCUIT 20 AMP	1
9	031866	SCREW	8-32 X 7/8	2
10	031844	LOCKWASHER	8	2
11	031843	WASHER	FLAT 8	2
12		SCREW	8-32 X 1/4 RH	2
13	031786	LOCKWASHER	M 8 DIN 127	1
14	018242	NUT	M 8 DIN 934	1
15	036218	SOLENOID	STARTER MOTOR	1
16	036398	HARNESS		1
17	033213	TUBING	TEFLON-INCHES REQUIRED	18
18	032923	SWITCH	EXHAUST TEMPERATURE	1
19	035754	BOOT	EXHAUST TEMPERATURE SWITCH	1
20	035711	SCREW	6-20 X 1/4 TAPPING - 45 DEGREE ELBOW	2
21	017196	CAPSCREW	M 8 X 20 DIN 933	1
22-1	031787	WASHER	M 8 DIN 125	1
22-2	031786	LOCKWASHER	M 8 DIN 127	1
23	036162	COIL	INCL REF 23 THRU 28	1
24		SCREW	M 5 X 25	2
25		BRACKET	COIL AND RESISTOR-SEE REF 23	1
26		RESISTOR		1
27		BRACKET	RESISTOR-SEE REF 23	1
28		SCREW	M 4 X 8	1
29	031553	CAPSCREW	5/16NC X 3/4	1
30	031759	WASHER	FLAT 5/16	1
31	031756	NUT	5/16NC	1
32	031758	LOCKWASHER	5/16	1
33	035437	BRACKET	IGNITION COIL	1
34	033805	SPARKPLUG		3
35	035670	WIRE	SPARKPLUG 3	1
36	035669	WIRE	SPARKPLUG 1 & 2	2



WESTERBEKE 9.0 BTG GENERATOR - ELECTRICAL WIRING HARNESS

REF	PN	NAME	REMARKS	QUAN
37	031929	NUT	M 4 DIN 934	1
38	031917	LOCKWASHER	M 4 DIN 6796A	1
39	036178	DISTRIBUTR		1
40	035831	WIRE	COIL TO DISTRIBUTOR	1
41	018241	NUT	M 5 DIN 934	1
42	031780	LOCKWASHER	M 5 DIN 127	1
43		CHOKE	INCL WITH CARBURETOR ASSEMBLY	1
44-1	036006	SOLENOID	FUEL	1
44-2	011943	WASHER		1
45	024132	SENDER	OIL PRESSURE 0-100 PSI - OPTIONAL	1
46	035109	SENDER	WATER TEMPERATURE - OPTIONAL	1
47	030096	SWITCH	WATER TEMPERATURE	1
48	031501	CAPSCREW	1/4NC X 1/2	2
49	031752	LOCKWASHER	1/4	2
50	031753	WASHER	FLAT 1/4	2
51	033630	PUMP	FUEL LIFT 12VDC	1
52	036378	BRACKET	LIFT PUMP	1
53	033935	SWITCH	OIL PRESSURE	1
54	035145	TEE	1/8NPT STREET STEEL	1
55	024844	ADAPTER		1
56	019369	PLUG	1/8NPT BRASS	1
57	036404	BOOT	OIL PRESSURE-WATER TEMPERATURE SWITCH	2
58	034472	BOOT	DISTRIBUTOR AND STARTER	2
59	035449	BOOT		5
60	031086	BOOT	ALTERNATOR	1
61	036397	DIAGRAM	GENERATOR DC CONTROL WIRING	1

WESTERBEKE 9.0 BTG GENERATOR - REMOTE CONTROL PANELS



WESTERBEKE 9.0 BTG GENERATOR - REMOTE CONTROL PANELS

REF	PN	NAME	REMARKS	QUAN
1	033703	PANEL	REMOTE START-STOP	1
2	036055	PANEL	REMOTE INSTRUMENT INCLUDING SENDERS	1
3	037605	VOLTMETER	12VDC	1
4	036192	METER	HOUR	1
5	037601	METER	WATER TEMPERATURE	1
6	037603	METER	OIL PRESSURE 0-100 PSI	1
7	033633	SWITCH	ON-BLACK HANDLE	1
8-1	032975	LED		1
8-2	013723	RESISTOR		1
8-3	013724	DIODE		1
9	033632	SWITCH	START-WHITE HANDLE	1
10	033631	SWITCH	STOP-RED HANDLE	1
11-1	019121	BLOCK	TERMINAL	1
11-2	019122	MARKER	TERMINAL BLOCK	1
11-3	033868	SPACER		1
11-4	031867	SCREW	8-32 X 1	4
11-5	031844	LOCKWASHER	8	4
11-6	031843	WASHER	FLAT 8	4
12	033917	PLATE	REMOTE PANEL 33703	1
13-1	012975	BLOCK	TERMINAL	1
13-2	013364	MARKER	TERMINAL BLOCK	1
13-3	013856	PLATE	SCREW	2
13-4	031865	SCREW	8-32 X 3/4	4
13-5	031844	LOCKWASHER	8	4
14	034215	WIRE	RED-PURPLE	1
15	034214	WIRE	RED-PURPLE	1
16	034216	WIRE	YELLOW-RED	1
17	033912	WIRE	YELLOW-RED	1
18	034217	WIRE	PURPLE	1
19	033916	PLATE	REMOTE INSTRUMENT PANEL 36055	1
20-1	024947	LAMP	INSTRUMENT-BAYONET BASE	3
20-2	024946	HOLDER	LAMP-BAYONET BASE	3
20-3	035114	LAMP	INSTRUMENT-WEDGE BASE	3
20-4	035118	HOLDER	LAMP-WEDGE BASE	3
20-5	035825	WIRE	LAMP POWER CONNECTION	3
21	034223	WIRE	BLACK	2
22	034221	WIRE	PURPLE	1
23	034222	WIRE	BLACK	1
24	034220	WIRE	PURPLE	1
25	034224	WIRE	BLACK	1
26	034219	WIRE	TAN	1
27	034218	WIRE	BLUE	1
28	035706	DIAGRAM	WIRING PANEL 33703	1
29	035698	DIAGRAM	WIRING PANEL 36055	1

WESTERBEKE 9.0 BTG GENERATOR - MISCELLANEOUS

REF	PN	NAME	REMARKS	QUAN
1	037300	KIT A	SPARE PARTS	1
2	037373	KIT B	SPARE PARTS-EXTENDED CRUISING	1
3	035692	GASKET SET	UPPER	1
4	035693	GASKET SET	COMPLETE	1
5	024177	KIT	REMOTE FRESH WATER SURGE TANK	1
6	013758	PAINT	RED-AEROSOL SPRAY CAN	1
7	036801	PARTSLIST		1
8	036710	MANUAL	OPERATOR	1
9	036209	MANUAL	TECHNICAL	1
10-1	032008	SWITCH	SHIP-SHORE 3 WIRE	1
10-2	032009	SWITCH	SHIP-SHORE 2 WIRE	1
11	036055	PANEL	REMOTE INSTRUMENT INCLUDING SENDERS	1
12	033703	PANEL	REMOTE START-STOP	1
13	033327	VALVE	ANTI-SIPHON	1
14-1	034936	MUFFLER	HYDRO HUSH C	1
14-2	033340	CONNECTOR	HOSE-STRAIGHT 1-7/8	AR
14-3	033341	CONNECTOR	HOSE 45 DEGREE 1-7/8	AR
14-4	033342	CONNECTOR	HOSE 90 DEGREE 1-7/8	AR
14-5	036680	ADAPTER	1-7/8 TO 2 HOSE	AR
14-6	033943	KIT	HOSE COUPLING & CLAMPS	1
15	015010	STRAINER	SEA WATER	1